

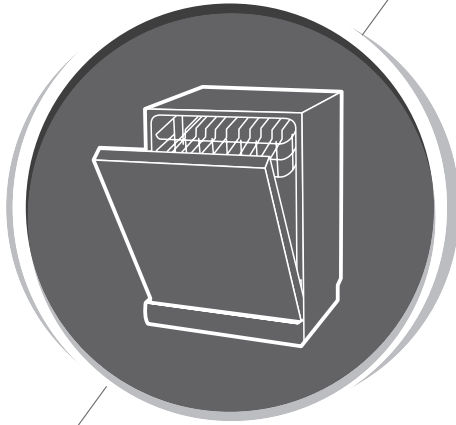
INSTRUCTION MANUAL

English

PRODUCTS NAME

Häfele Dishwasher Fully-Integrated HDW-FI60AB

Products Applied: 538.21.330



Dishwasher Instruction Manual

PART I : Generic Version

Please read this manual carefully before using the dishwasher
Keep this manual for future reference.

CONTENTS

1. SAFETY INFORMATION	4
2. PRODUCT OVERVIEW	6
3. USING YOUR DISHWASHER	7
3.1 Loading The Salt Into The Softener	7
3.2 Basket Used Tips	9
4. MAINTENANCE AND CLEANING	11
4.1 External Care	11
4.2 Internal Care	11
4.3 Caring For The Dishwasher	13
5. INSTALLATION INSTRUCTION	15
5.1 Power Connection	15
5.2 Water Supply And Drain	15
5.3 Connection Of Drain Hoses	16
5.4 Position The Appliance	17
5.5 Free Standing Installation	17
5.6 Built-In Installation(for the integrated model)	18
6. TROUBLESHOOTING TIPS	23
6.1 Availability Of Spare Parts	11
7. LOADING THE BASKETS	26
7.1 Cutlery Rack Used Tips	28



! NOTE:

- Reviewing the section on troubleshooting Tips will help you solve some common problems by yourself.
- If you cannot solve the problems by yourself, please ask for help from a professional technician.
- The manufacturer, following a policy of constant development and updating of the product, may make modifications without giving prior notice.
- If lost or out-of-date, you can receive a new user manual from the manufacturer or responsible vendor.

1. SAFETY INSTRUCTIONS



!! WARNING: When using your dishwasher, follow the precautions listed below:

- Installation and repair can only be carried out by a qualified technician
- This appliance is intended to be used in household and similar applications such as:
 - staff kitchen areas in shops, offices and other working environments;
 - farm houses;
 - by clients in hotels, motels and other residential type environments;
 - bed and breakfast type environments.
- This appliance can be used by children aged 8 and older, and persons with reduced physical, sensory or mental capabilities or lack of experience and knowledge if they have been given supervision or instruction concerning use of the appliance in a safe way and understand the hazards involved.
 - Children shall not play with the appliance. Cleaning and user maintenance shall not be done by children without supervision. (For EN60335-1)
 - This appliance is not intended for use by persons (including children) with reduced physical, sensory or mental capabilities, or lack of experience and knowledge, unless they have been given supervision or instruction concerning use of the appliance by a person responsible for their safety. (For IEC60335-1) Packaging material could be dangerous for children!
 - This appliance is for indoor household use only.
 - To protect against the risk of electrical shock, do not immerse the unit, cord or plug in water or other liquid. Please unplug before cleaning and performing maintenance on the appliance.
 - If the supply cord is damaged, it must be replaced by the manufacturer or its service agent or a similarly qualified person in order to avoid a hazard.

Earthing Instructions

- This appliance must be earthed. In the event of a malfunction or breakdown, earthing will reduce the risk of an electric shock by providing a path of least resistance of electric current. This appliance is equipped with an earthing conductor plug.
- The plug must be plugged into an appropriate outlet that is installed and earthed in accordance with all local codes and ordinances.
- Improper connection of the equipment-earthing conductor can result in the risk of an electric shock. Check with a qualified electrician or service representative if you are in doubt whether the appliance is properly grounded.
 - Do not modify the plug provided with the appliance; If it does not fit the outlet.
 - Have a proper outlet installed by a qualified electrician.
 - Do not abuse, sit on, or stand on the door or dish rack of the dishwasher.
 - Do not operate your dishwasher unless all enclosure panels are properly in place.
 - Open the door very carefully if the dishwasher is operating, there is a risk of water squirting out. Do not place any heavy objects on or stand on the door when it is open. The appliance could tip forward.

- Do not place any heavy objects on or stand on the door when it is open. The appliance could tip forward.
- When loading items to be washed:
 1. Locate sharp items so that they are not likely to damage the door seal;
 2. Warning: Knives and other utensils with sharp points must be loaded in the basket with their points facing down or placed in a horizontal position.
- Some dishwasher detergents are strongly alkaline. They can be extremely dangerous if swallowed.
- Avoid contact with the skin and eyes and keep children away from the dishwasher when the door is open.
- Check that the detergent powder is empty after completion of the wash cycle.
- Do not wash plastic items unless they are marked “dishwasher safe” or the equivalent.
- For unmarked plastic items not so marked, check the manufacturer’s recommendations.
- Use only detergent and rinse agents recommended for use in an automatic dishwasher.
- Never use soap, laundry detergent, or hand washing detergent in your dishwasher.
- The door should not be left open, since this could increase the risk of tripping.
- During installation, the power supply must not be excessively or dangerously bent or flattened.
- Do not tamper with controls.
- The appliance needs to be connected to the main water valve using new hose sets. Old sets should not be reused.
- To save energy, in stand by mode, the appliance will switch off automatically while there is no any operation in 15 minutes.
- The maximum number of place settings to be washed is 14.
- The maximum permissible inlet water pressure is 1MPa. The minimum permissible inlet water pressure is 0.04MPa.

Disposal



For disposing of package and the appliance please go to a recycling center. Therefore cut off the power supply cable and make the door closing device unusable.

Cardboard packaging is manufactured from recycled paper and should be disposed in the waste paper collection for recycling.

By ensuring this product is disposed of correctly, you will help prevent potential negative consequences for the environment and human health, which could otherwise be caused by inappropriate waste handling of this product.

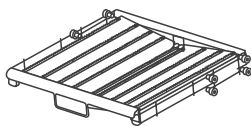
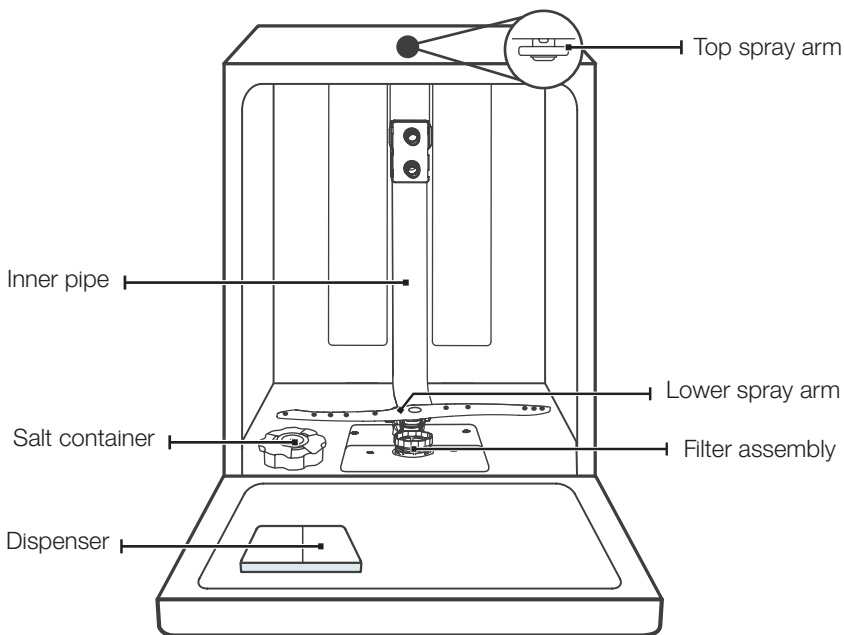
For more detailed information about recycling of this product, please contact your local city office and your household waste disposal service.

DISPOSAL: Do not dispose this product as unsorted municipal waste. Collection of such waste separately for special treatment is necessary.

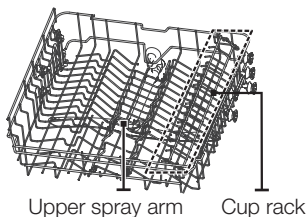
2. PRODUCT OVERVIEW

IMPORTANT:

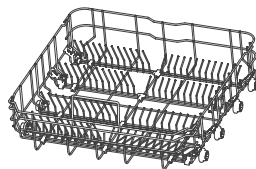
To get the best performance from your dishwasher, read all operating instructions before using it for the first time.



Cutlery rack



Upper basket



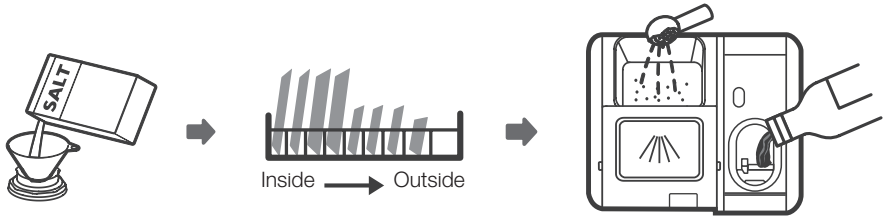
Lower basket



NOTE: Pictures are only for reference, different models may be different.

3. USING YOUR DISHWASHER

Before using your dishwasher:



1. Set the water softener
2. Loading the salt into the softener
3. Loading the basket
4. 4. Fill the detergent dispenser



Please check the section 1 “Water Softener” of PART : Special Version, If you need to set the water softener

3.1 Loading The Salt Into The Softener



NOTE: If your model does not have any water softener, you may skip this section.

Always use salt intended for dishwasher use.

The salt container is located beneath the lower basket and should be filled as explained in the following:



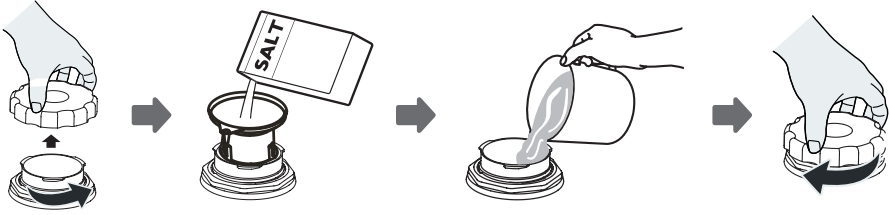
WARNING:

- Only use salt specifically designed for dishwashers use!
Every other type of salt not specifically designed for dishwasher use, especially table salt, will damage the water softener. In case of damages caused by the use of unsuitable salt the manufacturer does not give any warranty nor is liable for any damages caused.

- Only fill with salt before running a cycle.

This will prevent any grains of salt or salty water, which may have been spilled, remaining on the bottom of the machine for any period of time, which may cause corrosion.

Please follow the steps below for adding dishwasher salt:



1. Remove the lower basket and unscrew the reservoir cap.
2. Place the end of the funnel (if supplied) into the hole and pour in about 1.5kg of dishwasher salt.
3. Fill the salt container to its maximum limit with water, It is normal for a small amount of water to come out of the salt container.
4. After filling the container, screw back the cap tightly.
5. The salt warning light will turn off after the salt container has been filled with salt.
6. Immediately after filling the salt into the salt container, a washing program should be started (We suggest to use a short program). Otherwise the filter system, pump or other important parts of the machine may be damaged by salty water. This is out of warranty.

 **! NOTE:**

- The salt container must only be refilled when the salt warning light (⚡) in the control panel comes on. Depending on how well the salt dissolves, the salt warning light may still be on even though the salt container is filled. If there is no salt warning light in the control panel (for some Models), you can estimate when to fill the salt into the softener by the cycles that the dishwasher has run.
- If salt has spilled, run a soak or quick program to remove it.

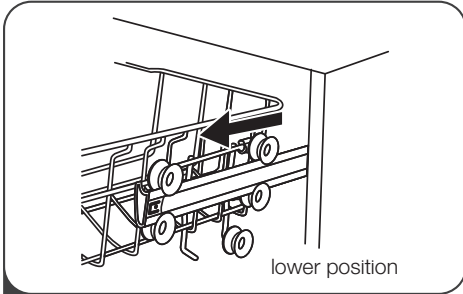
3.2 Basket Loading Tips

Adjusting the upper basket

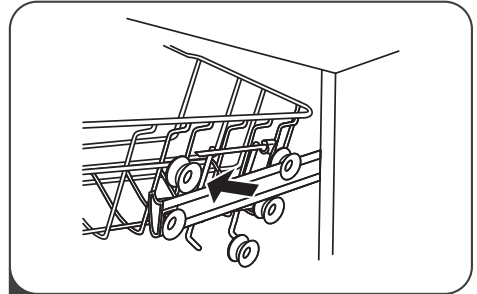
Type 1

The height of the upper basket can be easily adjusted to accommodate taller dishes in either the upper or lower basket.

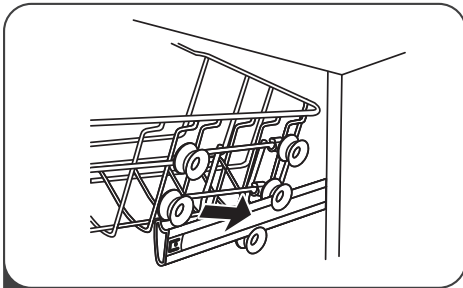
To adjust the height of the upper rack, follow these steps:



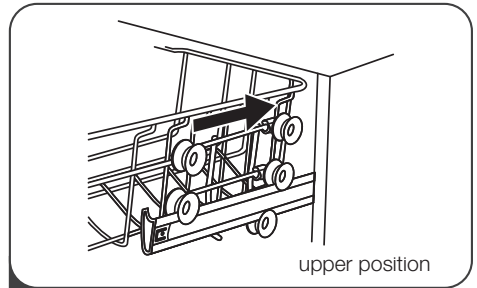
1 Pull out the upper basket.



2 Remove the upper basket.

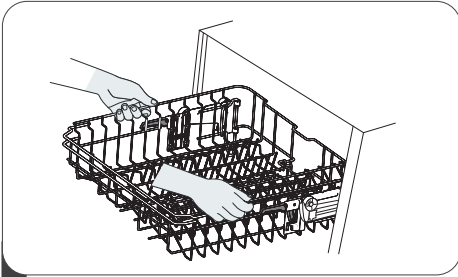


3 Re-attach the upper basket to upper or lower rollers.

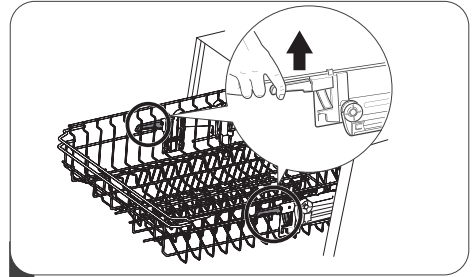


4 Push in the upper basket.

Type 2



1 To raise the upper basket, just lift the upper basket at the center of each side until the basket locks into place in the upper position. It is not necessary to lift the adjuster handle.



2 To lower the upper basket, lift the adjust handles on each side to release the basket and lower it to the lower position.

Folding back the cup shelves

To make room for taller items in the upper basket, raise the cup rack upwards. You can then lean the tall glasses against it.

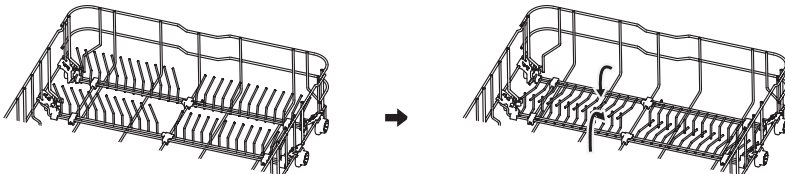


Folding back the rack shelves

The spikes of the lower basket are used for holding plates and a platter. They can be lowered to make more room for large items.

raise upwards

fold backwards



4. MAINTENANCE AND CLEANING

4.1 External Care

The door and the door seal

Clean the door seals regularly with a soft damp cloth to remove food deposits.

When the dishwasher is being loaded, food and drink residues may drip onto the sides of the dishwasher door. These surfaces are outside the wash cabinet and are not accessed by water from the spray arms. Any deposits should be wiped off before the door is closed.

The control panel

If cleaning is required, the control panel should be wiped with a soft damp cloth only.

!! WARNING:

- To avoid penetration of water into the door lock and electrical components, do not use a spray cleaner of any kind.
- Never use abrasive cleaners or scouring pads on the outer surfaces because they may scratch the finish. Some paper towels may also scratch or leave marks on the surface.

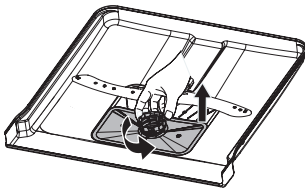
4.2 Internal Care

Filtering system

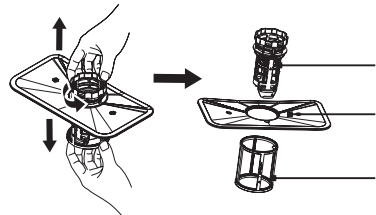
The filtering system in the base of the wash cabinet retains coarse debris from the washing cycle, including foreign objects such as tooth picks or shards. The collected coarse debris may cause the filters to clog. Check the condition of the filters regularly, carefully remove foreign objects and clean the parts of the filtering system if necessary with water. Follow the steps below to clean the filter



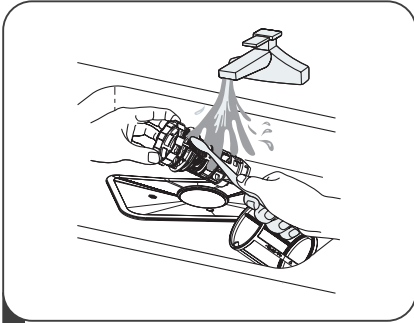
! NOTE: Pictures are only for reference, different models of the filtering system and spray arms may be different.



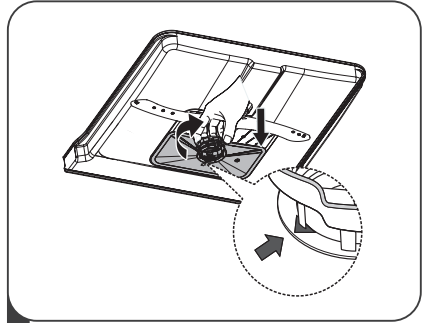
- 1** Hold the coarse filter and rotate it anticlockwise to unlock the filter. Lift the filter upwards and out of the dishwasher.



- 2** The fine filter can be pulled off the bottom of the filter assembly. The coarse filter can be detached from the main filter by gently squeezing the tabs at the top and pulling it away.



3 Larger food remnants can be cleaned by rinsing the filter under running water.
For a more thorough clean, use a soft cleaning brush.



4 Reassemble the filters in the reverse order of the disassembly, replace the filter insert, and rotate clockwise to the close arrow.

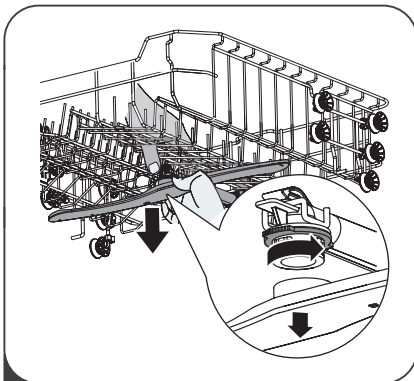
!! WARNING:

- Do not over tighten the filters. Put the filters back in sequence securely, otherwise coarse debris could get into the system and cause a blockage.
- Never use the dishwasher without filters in place. Improper replacement of the filter may reduce the performance level of the appliance and damage dishes and utensils

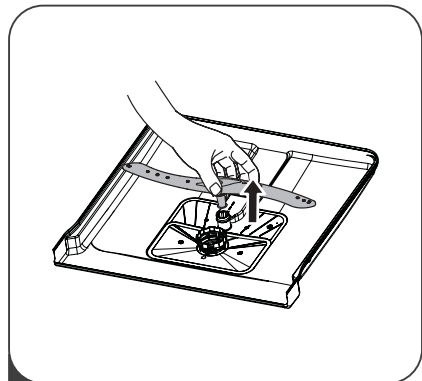
Spray arms

It is necessary to clean the spray arms regularly for hard water chemicals will clog the spray arm jets and bearings.

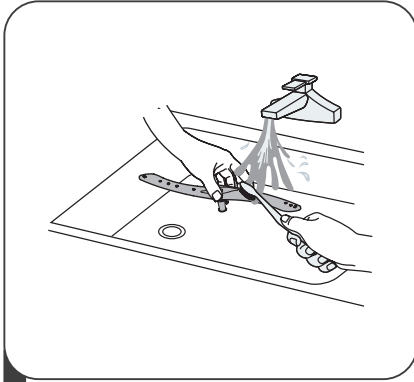
To clean the spray arms, follow the instructions below:



1 To remove the upper spray arm, hold the nut in the center still and rotate the spray arm counterclockwise to remove it.



2 To remove the lower spray arm, pull out the spray arm upward.



- 3** Wash the arms in soapy and warm water and use a soft brush to clean the jets.

4.3 Caring For The Dishwasher

Frost precaution

Please take frost protection measures on the dishwasher in winter. Every time after washing cycles, please operate as follows:

1. Cut off the electrical power to the dishwasher at the supply source.
2. Turn off the water supply and disconnect the water inlet pipe from the water valve.
3. Drain the water from the inlet pipe and water valve. (Use a pan to gather the water)
4. Reconnect the water inlet pipe to the water valve.
5. Remove the filter at the bottom of the tub and use a sponge to soak up water in the sump.

After every wash

After every wash, turn off the water supply to the appliance and leave the door slightly open for a while so that moisture and odors are not trapped inside.

Remove the plug

Before cleaning or performing maintenance, always remove the plug from the socket.

No solvents or abrasive cleaning

To clean the exterior and rubber parts of the dishwasher, do not use solvents or abrasive cleaning products. Only use a cloth with warm soapy water.
To remove spots or stains from the surface of the interior, use a cloth dampened with water and a little vinegar, or a cleaning product made specifically for dishwashers.

When not in use for a longtime

It is recommended that you run a wash cycle with the dishwasher empty and then remove the plug from the socket, turn off the water supply and leave the door of the appliance slightly open. This will help the door seals to last longer and prevent odors from forming within the appliance.

Moving the appliance

If the appliance must be moved, try to keep it in the vertical position. If absolutely necessary, it can be positioned on its back.

Seals

One of the factors that cause odours to form in the dishwasher is food that remains trapped in the seals. Periodic cleaning with a damp sponge will prevent this from occurring

5. INSTALLATION INSTRUCTION

WARNING:



Electrical Shock Hazard Disconnect electrical power before installing dishwasher.
Failure to do so could result in death or electrical shock.

Attention!

The installation of the pipes and electrical equipments should be done by professionals.

5.1 About Power Connection

WARNING:

For personal safety:

- Do not use an extension cord or an adapter plug with this appliance.
- Do not, under any circumstances, cut or remove the earthing connection from the power cord.

Electrical requirements

Please look at the rating label to know the rating voltage and connect the dishwasher to the appropriate power supply. Use the required fuse 10A/13A/16A, time delay fuse or circuit breaker recommended and provide separate circuit serving only this appliance.

Electrical connection

Ensure the voltage and frequency of the power being corresponds to those on the rating plate. Only insert the plug into an electrical socket which is earthed properly. If the electrical socket to which the appliance must be connected is not appropriate for the plug, replace the socket, rather than using a adaptors or the like as they could cause overheating and burns.

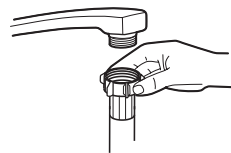
 Ensure that proper earthing exists before use

5.2 Water Supply And Drain

Cold water connection

Connect the cold water supply hose to a threaded 3/4(inch) connector and make sure that it is fastened tightly in place.

If the water pipes are new or have not been used for an extended period of time, let the water run to make sure that the water is clear. This precaution is needed to avoid the risk of the water inlet to be blocked and damage the appliance.



ordinary supply hose



safety supply hose

About the safety supply hose

The safety supply hose consists of the double walls. The system guarantees its intervention by blocking the flow of water in case of the supply hose breaking and when the air space between the supply hose itself and the outer corrugated hose is full of water.

⚠ !! WARNING:

A hose that attaches to a tap can burst if it is installed on the same water line as the dishwasher. If your sink has one, it is recommended that the hose be disconnected and the hole plugged.

How to connect the safety supply hose

1. Pull The safety supply hoses completely out from storage compartment located at rear of dishwasher.
2. Tighter the screws of the safety supply hose to the faucet with thread 3/4inch.
3. Turn water fully on before starting the dishwasher.

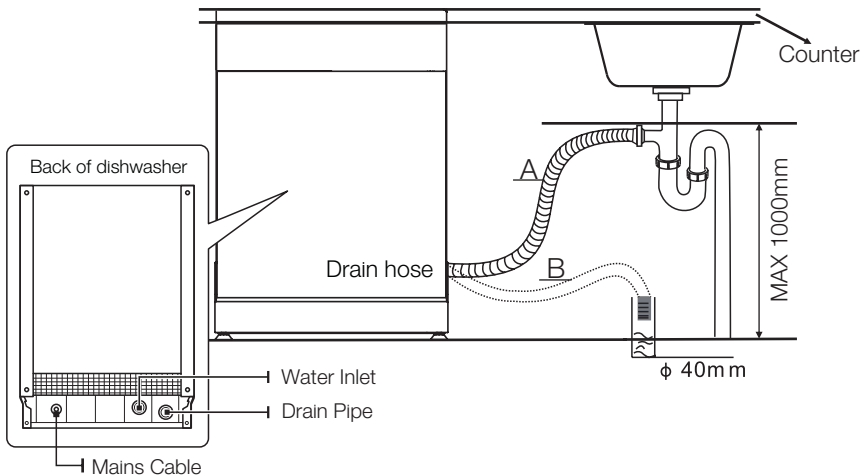
How to disconnect the safety supply hose

1. Turn off the water.
2. Unscrew the safety supply hose from the faucet.

5.3 Connection Of Drain Hoses

Insert the drain hose into a drain pipe with a minimum diameter of 4 cm, or let it run into the sink, making sure to avoid bending or crimping it. The height of drain pipe must be less than 1000mm. The free end of the hose must not be immersed in water to avoid the back flow of it.

- ⚠** Please securely fix the drain hose in either position A or position B



How to drain excess water from hoses

If the connection to the drain pipe is positioned higher than 1000 mm, excess water may remain in the drain hose. It will be necessary to drain excess water from the hose into a bowl or suitable container that is held outside and lower than the sink.

Water outlet

Connect the water drain hose. The drain hose must be correctly fitted to avoid water leaks. Ensure that the water drain hose is not kinked or squashed.

Extension hose

If you need a drain hose extension, make sure to use a similar drain hose. It must not be longer than 4 meters, otherwise the cleaning effect of the dishwasher could be reduced.

Syphon connection

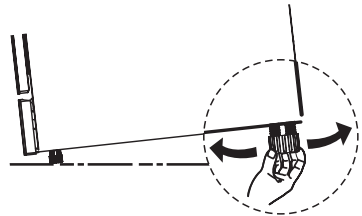
The waste connection must be at a height less than 1000 mm (maximum) from the bottom of the dishwasher.

5.4 Positioning The Appliance

Position the appliance in the desired location. The back should rest against the wall behind it, and the sides, along the adjacent cabinets or walls. The dishwasher is equipped with water supply and drain hoses that can be positioned either to the right or the left sides to facilitate proper installation.

Levelling the appliance

Once the appliance is positioned for levelling, the height of the dishwasher may be altered via adjustment of the screwing level of the feet. In any case, the appliance should not be inclined more than 2°.

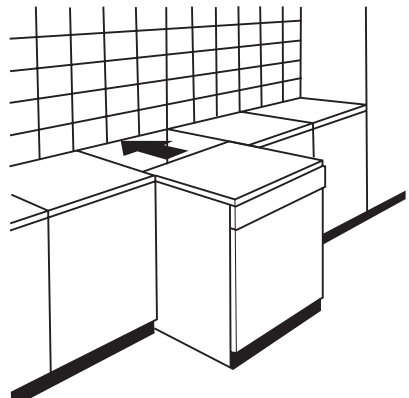


5.5 Free Standing Installation

Fitting between existing carbinets

The height of the dishwasher, 845 mm, has been designed in order to allow the machine to be fitted between existing cabinets of the same height in modern fitted kitchens.

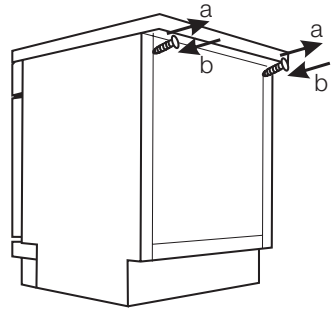
The laminated top of the machine does not require any particular care since it is heat-proof, scratchproof and stainproof.



Underneath existing work top

(When fitting beneath a work top)

In most modern fitted kitchens there is only one single work top under which cabinets and electrical appliances are fitted. In this case remove the work top of the dishwasher by unscrewing the screws under the rear edge of the top (a).



Attention!

After removing the work top, the screws must be screwed again under the rear edge of the top (b).

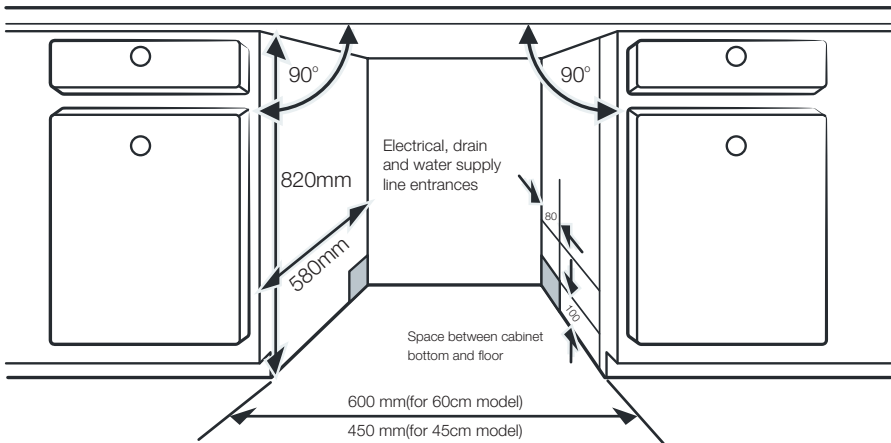
5.6 Built-In Installation(for the integrated model)

Step 1. Selecting the best location for the dishwasher

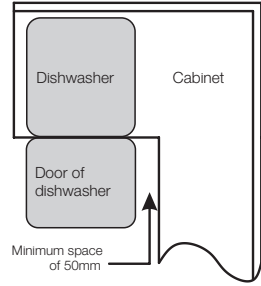
The installation position of dishwasher should be near the existing inlet and drain hoses and power cord.

Illustrations of cabinet dimensions and installation position of the dishwasher.

1. Less than 5 mm between the top of dishwasher and cabinet and the outer door aligned to cabinet.



2. If dishwasher is installed at the corner of the cabinet, there should be some space when the door is opened.



NOTE: Depending on where your electrical outlet is, you may need to cut a hole in the opposite cabinet side.

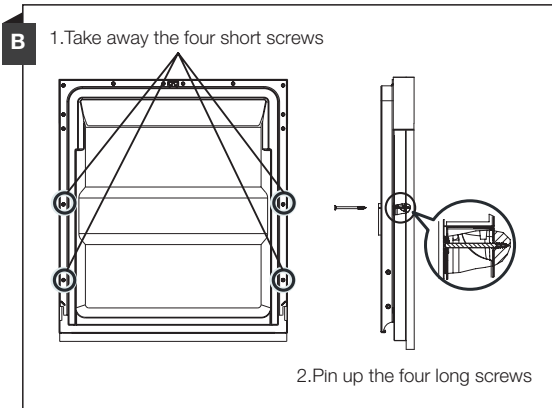
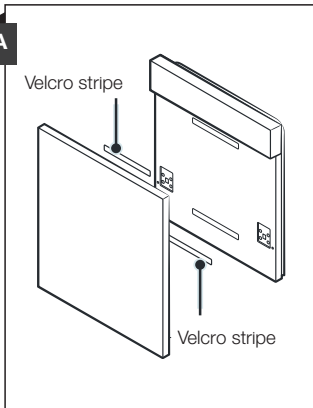
Step 2. Aesthetic panel's dimensions and installation



Follow the specific installation instruction for attaching the aesthetic door panel.

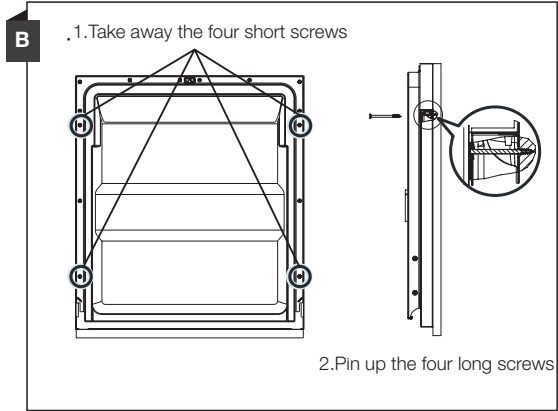
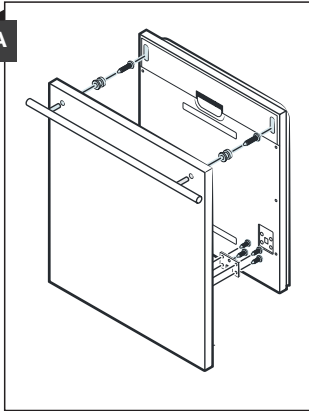
Semi-integrated model

Separate velcro stripe A and velcro stripe B and attach velcro stripe A on the inner side of the aesthetic panel. Attach the felted velcro stripe B on the outer door of dishwasher (see figure A). After positioning of the panel, fix the panel onto the outer door by screws and bolts (See figure B).



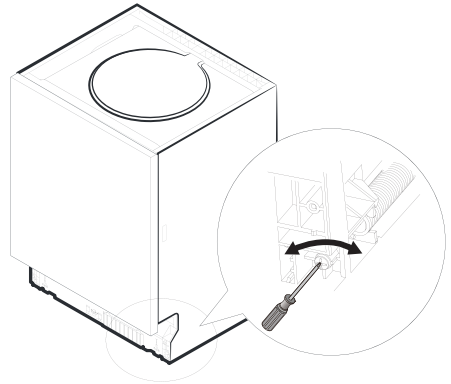
Full-integrated model

Install the hook on the aesthetic wooden panel and put the hook into the slot of the outer door of dishwasher (see figure A). After positioning of the panel, fix the panel onto the outer door by screws and bolts (See figure B).



Step 3. Tension adjustment of the door spring

1. The door springs are set at the factory to the proper tension for the outer door. If aesthetic panel are installed, you will have to adjust the door spring tension. Rotate the adjusting screw to drive the adjustor to strain or relax the steel cable
2. Door spring tension is correct when the door remains horizontal in the fully opened position, yet rises to a close with the slight lift of a finger.



Step 4. Dishwasher installation steps

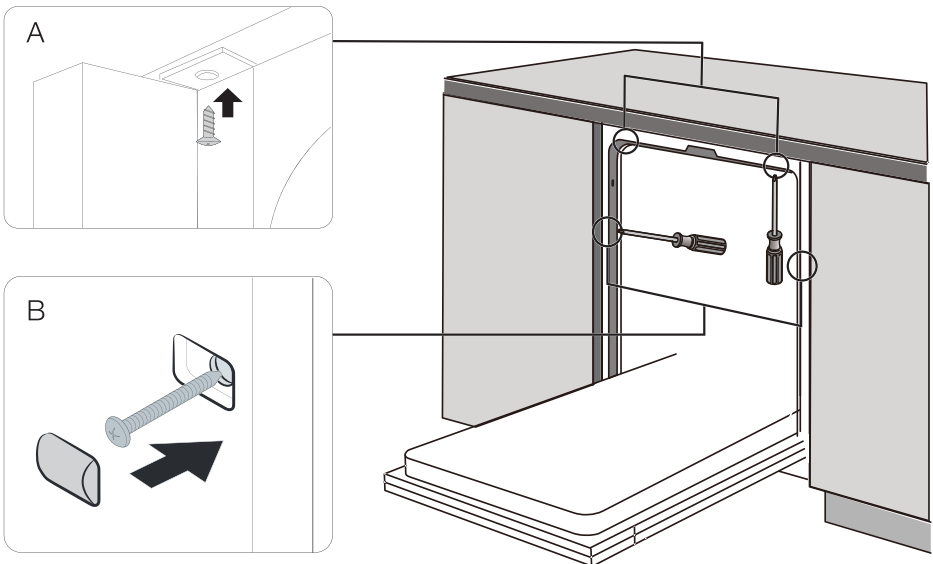


Please refer to the specific installation steps in the installation drawings.

1. Affix the condensation strip under the work surface of cabinet. Please ensure the condensation strip is flush with edge of work surface. (Step 2)
2. Connect the inlet hose to the cold water supply.
3. Connect the drain hose.
4. Connect the power cord.
5. Place the dishwasher into the cabinet
6. Level the dishwasher. The rear foot can be adjusted from the front of the dishwasher by turning the Philips screw in the middle of the base of dishwasher use an Philips screw. To adjust the front feet, use a flat screw driver and turn the front feet until the dishwasher is level. (Step 5 to Step 6)
7. Install the furniture door to the outer door of the dishwasher. (Step 7 to Step 10)
8. Adjust the tension of the door springs by using a Philips screw driver turning in a clockwise motion to tighten the left and right door springs. Failure to do this could cause damage to your dishwasher. (Step 11)
9. The dishwasher must be secured in place. There are two ways to do this:

A. A. Normal work surface: Put the installation hook into the slot of the side plane and secure it to the work surface with the screws.

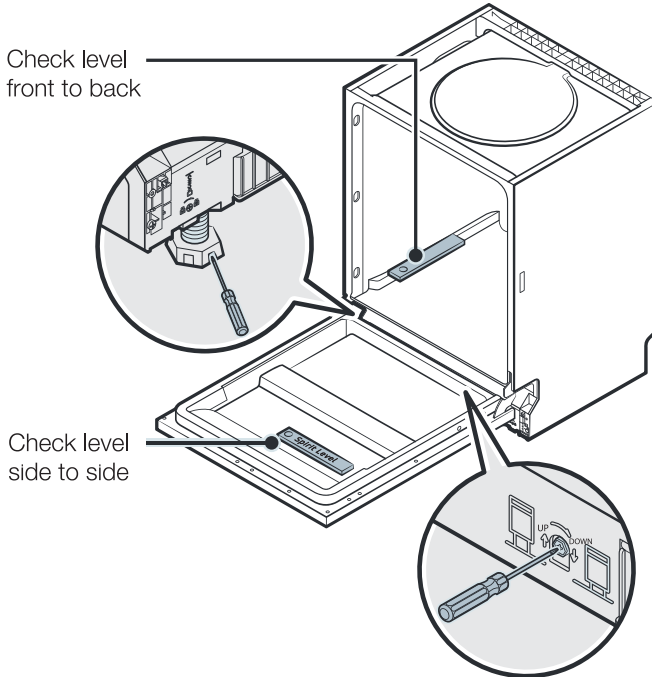
B. Marble or granite work top: Fix the side with Screw.



Step 5. Levelling the dishwasher

Dishwasher must be level for proper dish rack operation and wash performance.

1. Place a spirit level on door and rack track inside the tub as shown to check that the dishwasher is level.
2. Level the dishwasher by adjusting the three levelling feet individually
3. When level the dishwasher, please pay attention not to let the dishwasher tip over.



NOTE: The maximum adjustment height of the feet is 50 mm.

6. TROUBLESHOOTING TIPS

Before Calling For Service

Problem	Possible Causes	What To Do
Dishwasher doesn't start	Fuse blown, or the circuit break tripped.	Replace fuse or reset circuit breaker. Remove any other appliances sharing the same circuit with the dishwasher.
	Power supply is not turned on.	Make sure the dishwasher is turned on and the door is closed securely. Make sure the power cord is properly plugged into the wall socket.
	Water pressure is low	Check that the water supply is connected properly and the water is turned on.
	Door of dishwasher not properly closed.	Make sure to close the door properly and latch it.
Water not pumped form dishwasher	Twisted or trapped drain hose.	Check the drain hose.
	Filter clogged.	Check coarse the filter.
	Kitchen sink clogged.	Check the kitchen sink to make sure it is draining well. If the problem is the kitchen sink that is not draining , you may need a plumber rather than a serviceman for dishwashers.
Foam in the tub	Wrong detergent.	Use only the special dishwasher detergent to avoid suds. If this occurs, open the dishwasher and let suds evaporate. Add 1 liter of cold water to the bottom of the dishwasher. Close the dishwasher door, then select any cycle. Initially, the dishwasher will drain out the water. Open the door after draining stage is complete and check if the suds have disappeared. Repeat if necessary.
	Spilled rinse-aid.	Always wipe up rinse-aid spills immediately.
Stained tub interior	Detergent with colourant may have been used.	Make sure that the detergent has no colourant.
White film on inside surface	Hard water minerals.	To clean the interior, use the damp soft cloth with dishwasher detergent and wear rubber gloves. Never use any other cleaner than dishwasher detergent otherwise, it may cause foaming or suds.

Problem	Possible Causes	What To Do
There are rust stains on cutlery	The affected items are not corrosion resistant.	Avoid washing items that are not corrosion resistant in the dishwasher.
	A program was not run after dishwasher salt was added. Traces of salt have gotten into the wash cycle.	Always run a wash program without any crockery after adding salt. Do not select the Turbo function (if present), after adding dishwasher salt.
	The lid of the softer is loose.	Check the softener lid is secure.
Knocking noise in the dishwasher	A spray arm is knocking against an item in a basket	Interrupt the program and rearrange the items which are obstructing the spray arm.
Rattling noise in the dishwasher	Items of crockery are loose in the dishwasher.	Interrupt the program and rearrange the items of crockery.
Knocking noise in the water pipes	This may be caused by on-site installation or the cross-section of the piping.	This has no influence on the dishwasher function. If in doubt, contact a qualified plumber.
The dishes are not clean	The dishes were not loaded correctly.	See PART "Preparing And Loading Dishes".
	The program was not powerful enough.	Select a more intensive program.
	Not enough detergent was dispensed.	Use more detergent, or change your detergent.
	Items are blocking the movement of the spray arms.	Rearrange the items so that the spray can rotate freely.
	The filter combination is not clean or is not correctly fitted in the base of wash cabinet. This may cause the spray arm jets to get blocked	Clean and/or fit the filter correctly. Clean the spray arm jets.
Cloudiness on glassware.	Combination of soft water and too much detergent.	Use less detergent if you have soft water and select a shorter cycle to wash the glassware and to get them clean.
White spots appear on dishes and glasses.	Hard water area can cause limescale deposits.	Check water softener settings or fill status of salt container.
Black or grey marks on dishes	Aluminium utensils have rubbed against dishes	Use a mild abrasive cleaner to eliminate those marks.
Detergent left in dispenser	Dishes block detergent dispenser	Re-loading the dishes properly.

Problem	Possible Causes	What To Do
The dishes aren't drying	Improper loading	Use gloves if detergent residue can be found on dishes to avoid skin irritations.
	Dishes are removed too soon	Do not empty your dishwasher immediately after washing. Open the door slightly so that the steam can come out. Take out the dishes until the inside temperature is safe to touch. Unload the lower basket first to prevent the dropping water from the upper basket.
	Wrong program has been selected.	With a short program, the washing temperature is lower, decreasing cleaning performance. Choose a program with a long washing time.
	Use of cutlery with a low-quality coating.	Water drainage is more difficult with these items. Cutlery or dishes of this type are not suitable for washing in the dishwasher.



!! WARNING:

Self-repair or non-professional repair may cause serious risks to the safety of the user of the appliance and impact warranty.

6.1 Availability Of Spare Parts

- **Seven years after placing the last unit of the model on the market:**

Motor, circulation and drain pump, heaters and heating elements, including heat pumps (separately or bundled), piping and related equipment including all hoses, valves, filters and aqua stops, structural and interior parts related to door assemblies (separately or bundled), printed circuit boards, electronic displays, pressure switches, thermostats and sensors, software and firmware including reset software.

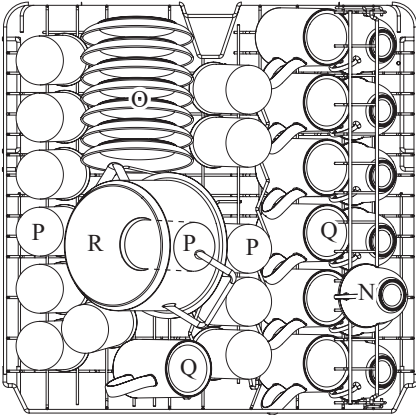
- **Ten years after placing the last unit of the model on the market:**

Door hinge and seals, other seals, spray arms, drain filters, interior racks and plastic peripherals such as baskets and lids.

7. LOADING THE BASKETS ACCORDING TO EN60436:

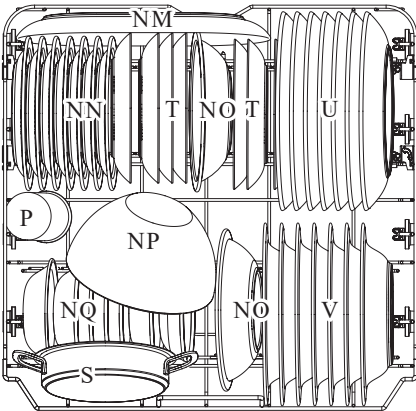
Loading the dishwasher to its full capacity will contribute to energy and water savings.

1. Upper basket



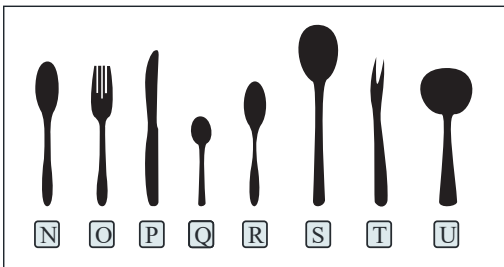
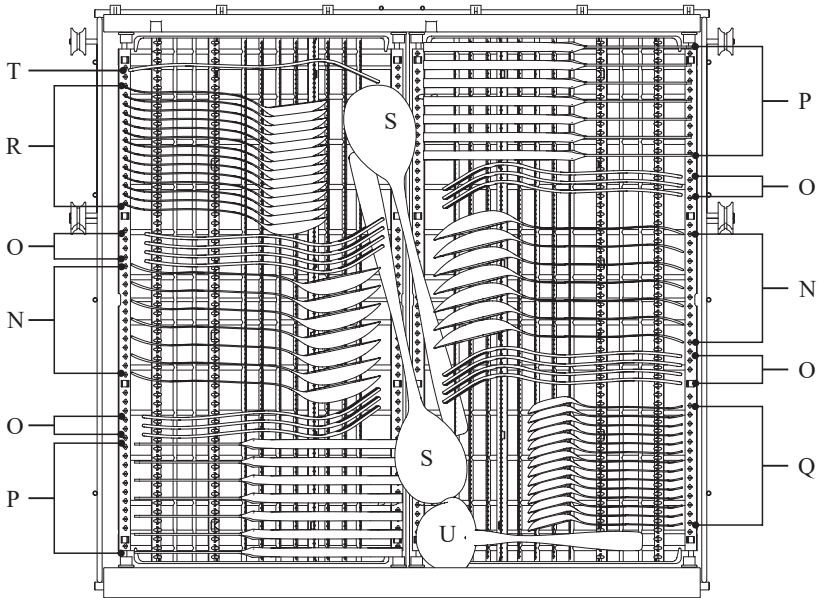
Number	Item
1	Cups
2	Saucers
3	Glasses
4	Mugs
5	Small pot

2. Lower basket



Number	Item
6	Oven pot
7	Dessert plates
8	Dinner plates
9	Soup plates
10	Oval platter
11	Melamine dessert plates
12	Melamine bowls
13	Glass bowl
14	Dessert bowls

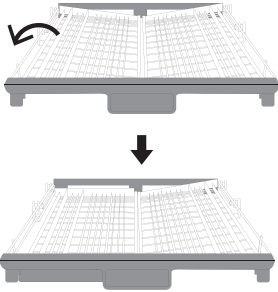
3. Cutlery rack



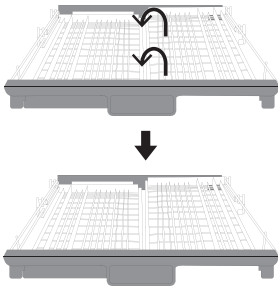
Information for comparability tests in accordance with EN60436 Capacity: 14 place settings
 Position of the upper basket: lower position
 Program: ECO
 Rinse aid setting: Max
 Softener setting: H3

Number	Item
1	Soup spoons
2	Forks
3	Knives
4	Tea spoons
5	Dessert spoons
6	Serving spoons
7	Serving fork
8	Gravy ladle

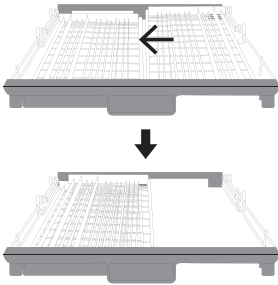
7.1 Cutlery Rack Used Tips



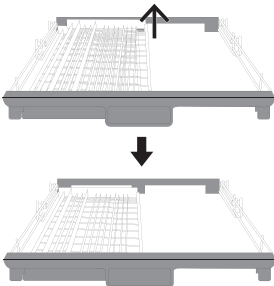
Lift the left basket up, adjust it to lower position, left basket is flat and right basket is sideling.



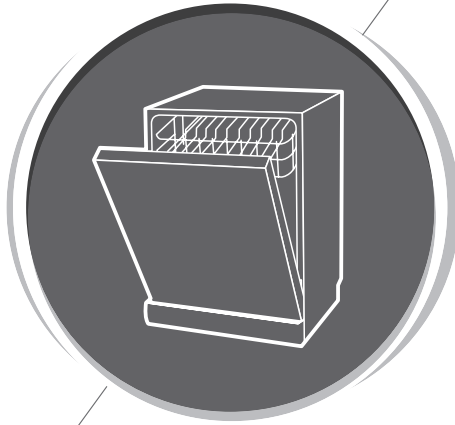
Lift the right basket up, both left and right baskets are flat.



Move the right basket from right to left, two basket are overlapping.



Remove the right basket from the tray, only has the left basket.



Dishwasher Instruction Manual

PART II : Special Version

Please read this manual carefully before using the dishwasher
Keep this manual for future reference.

CONTENTS

1. USING YOUR DISHWASHER	32
1.1 Control Panel	32
1.2 Water Softener	35
1.3 Function Of The Rinse Aid And Detergent.....	37
1.4 Filling The Rinse Aid Reservoir	38
1.5 Filling The Detergent Dispenser	39
2. PROGRAM SELECTION	40
2.1 Wash Cycle Table	40
2.2 Starting A Cycle Wash.....	41
2.3 Changing The Program Mid-cycle.....	41
2.4 Forget To Add A Dish?	41
3. ERROR CODES	43
4. TECHNICAL INFORMATION	44
.....	
.....	

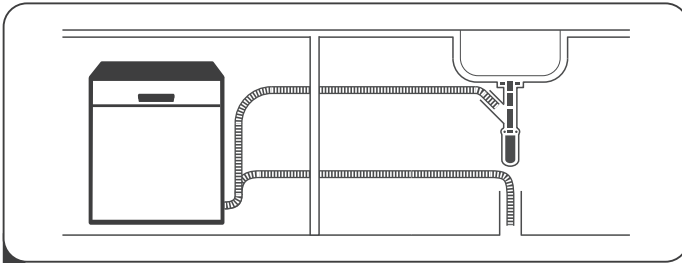


! NOTE:

- If you cannot solve the problems by yourself, please ask for help from a professional technician.
- The manufacturer, following a policy of constant development and updating of the product, may make modifications without giving prior notice.
- If lost or out-of-date, you can receive a new user manual from the manufacturer or responsible vendor.

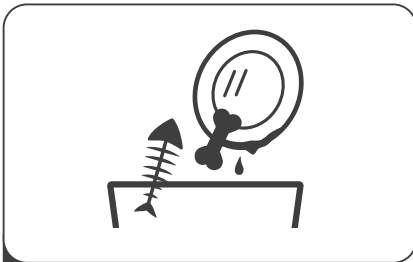
QUICK USER GUIDE

Please read the corresponding content on the instruction manual for detailed operating method.

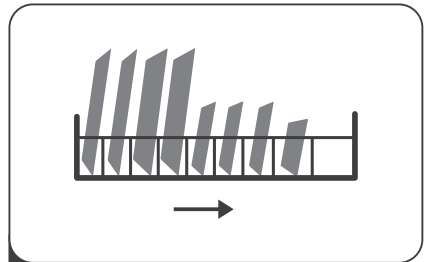


1 Install the dishwasher

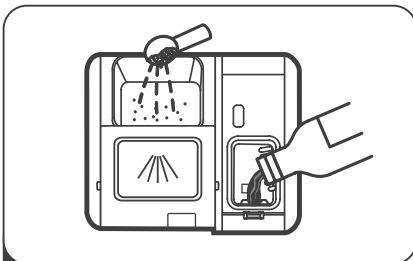
(Please check the section 5 "INSTALLATION INSTRUCTION " of PART :
Generic Version.)



2 Remove larger residue from dishes
Avoid pre-rinsing.



3 Load the baskets.



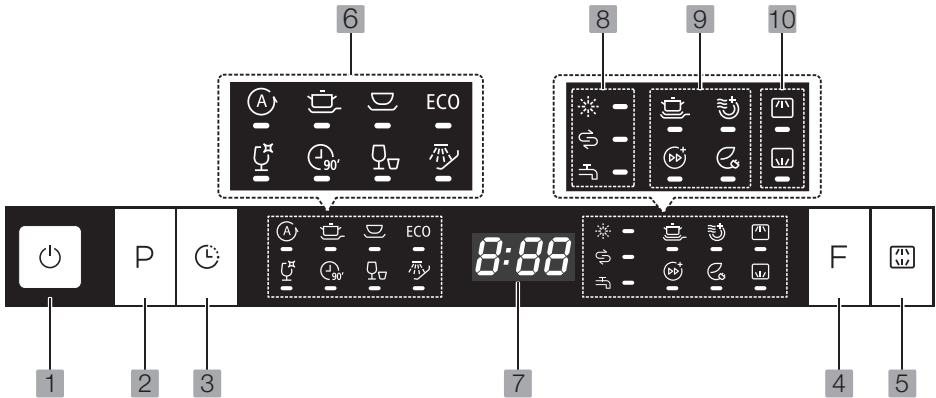
4 Fill the dispenser with detergent and
rinse aid.



5 Select a suitable program and start
the dishwasher.

1. USING YOUR DISHWASHER

1.1 Control Panel





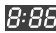














Operation (Button)

1. Power	Press this button to turn on your dishwasher.
2. Program	Press this button to select the appropriate washing program, the program indicator will be lit.
3. Delay	Press the Delay button to increase the delay start time. Delay a cycle for up to 24 hours in one-hour increments. After setting the delay time, close the door to start.
4. Function	Press the button to select a function, corresponding indicator will be lit.
5. Alt	Press the button to select either upper basket or lower basket loaded, and the response indicators will be lit.

Display

6. Program indicator	Auto Auto sensing wash, lightly, normally or heavily soiled crockery, with or without dried-on food.
	Intensive For heaviest soiled crockery, and normally soiled pots, pans, dishes etc. with dried-on food.
	Universal For normally soiled loads, such as pots, plates, glasses and lightly soiled pans.
	ECO ECO This is standard program, it is suitable to clean normally soiled tableware and it is the most efficient program in terms of its combined energy and water consumption for that type of tableware.

6. Program indicator	 Glass For lightly soiled crockery and glass.
	 90 Min For normally soiled loads that need quick wash.
	 Rapid A shorter wash for lightly soiled loads that do not need drying.
	 Soak To rinse dishes that you plan to wash later that day.
7. Screen	 To show the remaining program time and delay time, error code etc.
8. Warning indicator	 Rinse Aid If the “  ” indicator is lit, it means the dishwasher is low on dishwasher rinse aid and requires a refill.
	 Salt If the “  ” indicator is lit, it means the dishwasher is low on dishwasher salt and needs to be refilled.
	 Water Faucet If the “  ” indicator is lit, it means the water faucet closed.
9. Function indicator	 Power wash To wash very dirty, hard to clean dishes. (It can only be used with Intensive, Universal, ECO, Glass, 90min.)
	 Extra drying For better drying result. (It can only be used with Intensive, Universal, ECO, Glass, 90min.)
	 Turbo speed+ For better drying result. (It can only be used with Intensive, Universal, ECO, Glass, 90min.)
	 Energy save when you have less plates to wash ,you can choose it. (It can only be used with Intensive, Universal, ECO, Glass, 90min.)
10. Alt indicator	 Upper When you select Upper, only the dishes in the upper rack will be washed. The spray system of the lower basket will not operate.
	 Lower When you select Lower, only the dishes in the lower rack will be washed. The spray system of the upper basket will not operate.

1.2 Water Softener

The water softener must be set manually, using the water hardness dial.

The water softener is designed to remove minerals and salts from the water, which would have a detrimental or adverse effect on the operation of the appliance.

The more minerals there are, the harder your water is.

The softener should be adjusted according to the hardness of the water in your area. Your local Water Authority can advise you on the hardness of the water in your area.

Adjusting salt consumption

The dishwasher is designed to allow for adjustment in the amount of salt consumed based on the hardness of the water used. This is intended to optimise and customise the level of salt consumption.

Please follow the steps below for adjustment in salt consumption.

1. Open the door, switch on the appliance;
2. Within 60 seconds after the appliance was switched on press the program button for more than 5 seconds to enter the water softener setting mode
3. Press the program button again to select the proper set according to your local environment, the setting will change in the following sequence: H1->H2->H3->H4->H5->H6;
4. Press the Power button to end the setting mode.

WATER HARDNESS				Water softener level	Regeneration occurs every X program sequence 1)	Salt consumption (gram/cycle)
German dH	French fH	British Clarke	Mmol/l			
0 - 5	0 - 9	0 - 6	0 - 0.94	H1	No regeneration	0
6 - 11	10 - 20	7 - 14	1.0 - 2.0	H2	10	9
12 - 17	21 - 30	15 - 21	2.1 - 3.0	H3	5	12
18 - 22	31 - 40	22 - 28	3.1 - 4.0	H4	3	20
23 - 34	41 - 60	29 - 42	4.1 - 6.0	H5	2	30
35 - 55	61 - 98	43 - 69	6.1 - 9.8	H6	1	60

1°dH=1.25° Clarke=1.78 °fH=0.178mmol/l

The manufactory setting: H3

1) Every cycle with a regeneration operation consumes additional 2.0 litres of water, the energy consumption increases by 0.02 kWh and the program extends by 4 minutes.



Please check the section 3 “Loading The Salt Into The Softener” of PART : Generic Version, If your dishwasher lacks salt.



! NOTE:

If your model does not have any water softener, you may skip this section. Water Softener

The hardness of the water varies from place to place. If hard water is used in the dishwasher, deposits will form on the dishes and utensils.

The appliance is equipped with a special softener that uses a salt container specifically designed to eliminate lime and minerals from the water.

1.3 Preparing And Loading Dishes

- Consider buying utensils which are identified as dishwasher-proof.
- For particular items, select a program with the lowest possible temperature.
- To prevent damage, do not take glass and cutlery out of the dishwasher immediately after the program has ended.

For washing the following cutlery/dishes

Are not suitable

- Cutlery with wooden, horn china or mother-of-pearl handles
- Plastic items that are not heat resistant
- Older cutlery with glued parts that are not temperature resistant
- Bonded cutlery items or dishes
- Pewter or cooper items
- Crystal glass
- Steel items subject to rusting
- Wooden platters
- Items made from synthetic fibres

Are of limited suitability

- Some types of glasses can become dull after a large number of washes
- Silver and aluminum parts have a tendency to discolour during washing
- Glazed patterns may fade if machine washed frequently

Recommendations for loading the dishwasher

Scrape off any large amounts of leftover food. Soften remnants of burnt food in pans. It is not necessary to rinse the dishes under running water.

For best performance of the dishwasher, follow these loading guidelines. (Features and appearance of baskets and cutlery baskets may vary from your model.)

Place objects in the dishwasher in following way:

- Items such as cups, glasses, pots/pans, etc. must face downwards
- Curved items, or ones with recesses, should be loaded aslant so that water can run off.
- All utensils are stacked securely and can not tip over.
- All utensils are placed in the way that the spray arms can rotate freely during washing.
- Load hollow items such as cups, glasses, pans etc. With the opening facing downwards so that water cannot collect in the container or a deep base.
 - Dishes and items of cutlery must not lie inside one another, or cover each other. To avoid damage, glasses should not touch one another.
 - The upper basket is designed to hold more delicate and lighter dishware such as glasses, coffee and tea cups.
- Long bladed knives stored in an upright position are a potential hazard!
- Long and / or sharp items of cutlery such as carving knives must be positioned horizontally in the upper basket.
- Please do not overload your dishwasher. This is important for good results and for reasonable consumption of energy.



! NOTE: Very small items should not be washed in the dishwasher as they could easily fall out of the basket.

Removing the dishes

To prevent water dripping from the upper basket into the lower basket, we recommend that you empty the lower basket first, followed by the upper basket.



!! WARNING:



Items will be hot! To prevent damage, do not take glass and cutlery out of the dishwasher for around 15 minutes after the program has ended.

Loading the upper basket

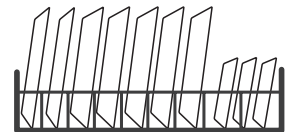
The upper basket is designed to hold more delicate and lighter dishware such as glasses, coffee and tea cups and saucers, as well as plates, small bowls and shallow pans (as long as they are not too dirty). Position the dishes and cookware so that they will not get moved by the spray of water.



Loading the lower basket

We suggest that you place large and difficult to clean items into the lower basket: such as pots, pans, lids, serving dishes and bowls, as shown in the figure below. It is preferable to place serving dishes and lids on the side of the racks in order to avoid blocking the rotation of the top spray arm.

The maximum diameter advised for plates in front of the detergent dispenser is of 19 cm, this not to hamper the opening of it.



Loading the cutlery basket

Cutlery should be placed in the cutlery rack separately from each other in the appropriate positions, and do make sure the utensils do not nest together, this may cause bad performance.

 **!! WARNING:**



**Do not let any item extend through the bottom.
Always load sharp utensils with the sharp point down!**



For the best washing effect, please load the baskets refer to standard loading options on last section of PART : Generic Version

1.4 Function Of The Rinse Aid And Detergent


The rinse aid is released during the final rinse to prevent water from forming droplets on your dishes, which can leave spots and streaks. It also improves drying by allowing water to roll off the dishes. Your dishwasher is designed to use liquid rinse aids.

 **!! WARNING:**

Only use branded rinse aid for dishwasher. Never fill the rinse aid dispenser with any other substances (e.g. Dishwasher cleaning agent, liquid detergent). This would damage the appliance.

When to refill the rinse aid

The regularity of the dispenser needing to be refilled depends on how often dishes are washed and the rinse aid setting used.

- The Low Rinse Aid indicator () will appear in the display when more rinse aid is needed.
- Do not overfill the rinse aid dispenser.

Function of detergent

The chemical ingredients that compose the detergent are necessary to remove, crush and dispense all dirt out of the dishwasher. Most of the commercial quality detergents are suitable for this purpose.

!! WARNING:

- Proper Use of Detergent

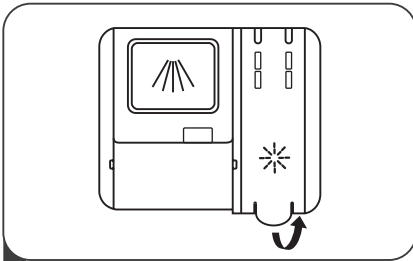
Use only detergent specifically made for dishwashers use. Keep your detergent fresh and dry.

Don't put powdered detergent into the dispenser until you are ready to wash dishes.

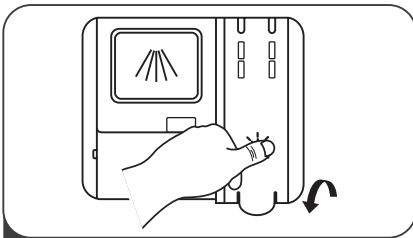


Dishwasher detergent is corrosive! Keep dishwasher detergent out of the reach of children.

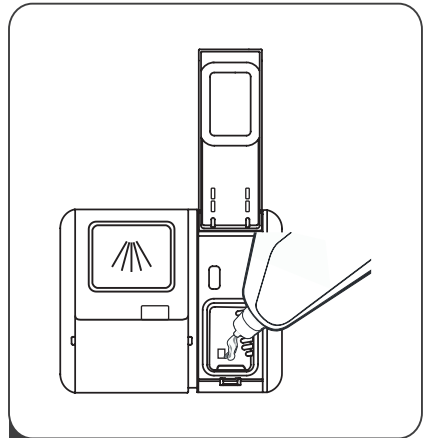
1.5 Filling The Rinse Aid Reservoir



- 1** Remove the rinse reservoir cap by lifting up the handle .



- 3** Close the cap after all.



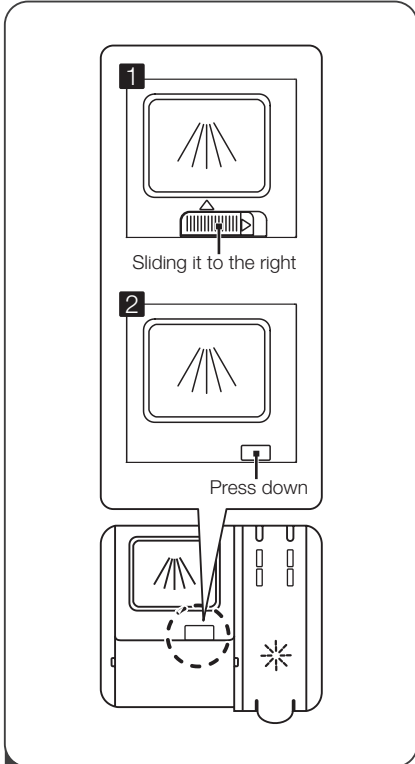
- 2** Pour the rinse aid into the dispenser, being careful not to overfill.

Adjusting the rinse aid reservoir

To achieve a better drying performance with limited rinse aid, the dishwasher is designed to adjust the consumption by user. Follow the below steps.

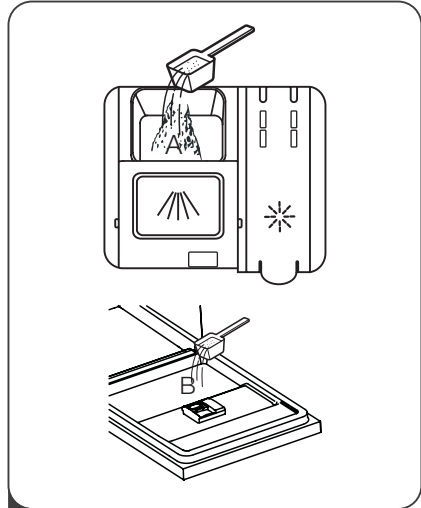
1. Switch on the appliance.
2. Within 60 seconds after step 1, press the Program button more than 5 seconds, and then press the Delay button to enter the set model, the rinse aid indication blinks as 1Hz frequency.
3. Press the Program button to select the proper set according to your using habits , the sets will change in the following sequence: D1->D2->D3->D4->D5->D1.
4. The higher the number, the more rinse aid the dishwasher uses.
5. Without operation in 5 seconds or press the Power button to exit the set model, the set success.

1.6 Filling The Detergent Dispenser

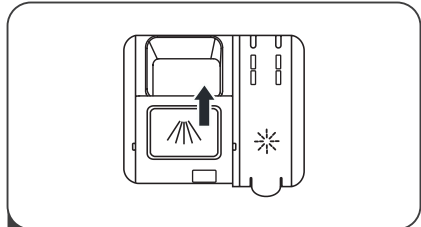


1 Please choose an open way according to the actual situation.

1. Open the cap by sliding the release catch.
2. Open the cap by pressing down the release catch.



2 Add detergent into the larger cavity (A) for the main wash cycle . For better cleaning result, especially if you have very dirt items, pour a small amount of detergent onto the door. The additional detergent will activate during the pre-wash phase.



3 Close the flap by sliding it to the front and then pressing it down.

 **! NOTE:**








- Please observe the manufacturer's recommendations on the detergent packaging.

2. PROGRAM SELECTION

2.1 Wash Cycle Table

The table below shows which programs are best for the levels of food residue on them and how much detergent is needed. It also show various information about the programs.

(●)Means: need to fill rinse into the Rinse-Aid Dispenser.

Program	Description Of Cycle	Detergent Pre/Main	Running Time(min)	Energy (Kwh)	Water (L)	Rinse Aid
 Auto	Prewash(45°C) AutoWash (55-65°C) Rinse Rinse(50-55°C) Drying	$\frac{4/18g}{(1 \text{ or } 2 \text{ pieces})}$	80 -150	0.896~1.784	8.5-18.0	●
 Intensive	Prewash(50°C) Wash(65°C) Rinse Rinse Rinse(60°C) Drying	$\frac{4/18g}{(1 \text{ or } 2 \text{ pieces})}$	205	1.500	16.6	●
 Universal	Prewash(45°C) Wash (55°C) Rinse Rinse (55°C) Drying	$\frac{4/18g}{(1 \text{ or } 2 \text{ pieces})}$	175	0.980	13.6	●
ECO (*EN 60436)	Wash(50°C) Rinse Rinse(50°C) Drying	$\frac{4/18g}{(1 \text{ or } 2 \text{ pieces})}$	198	0.747	9.8	●
 Glass	Prewash Wash(50°C) Rinse(50°C) Rinse(50°C) Drying	$\frac{4/18g}{(1 \text{ or } 2 \text{ pieces})}$	120	0.950	13.5	●
 90 Min	Wash(60°C) Rinse Rinse (50°C) Drying	$\frac{22g}{(1 \text{ tabs})}$	90	1.180	12.5	●
 Rapid	Rinse(45°C) Rinse(45°C)	$\frac{12g}{(1 \text{ tabs})}$	30	0.820	11.2	○
 Soak	Prewash	-	15	-	4.1	○

**NOTE:**

ECO : : The ECO program is suitable to clean normally soiled tableware, that for this use, it is the most efficient program in terms of its combined energy and water consumption, and it is used to assess compliance with the EU ecodesign legislation.

2.2 Saving Energy

1. Pre-rinsing of tableware items leads to increased water and energy consumption and is not recommended.
2. Washing tableware in a household dishwasher usually consumes less energy and water in the use phase than hand dishwashing when the household dishwasher is used according to the instructions.

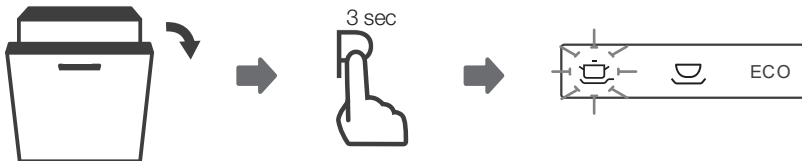
2.3 Starting A program

1. Draw out the lower and upper basket, load the dishes and push them back. It is commended to load the lower basket first, then the upper one.
2. Pour in the detergent.
3. Insert the plug into the socket. The power supply refer to last page "Product fiche". Make sure that the water supply is turned on to full pressure.
4. Open the door, Press the Power button.
5. Choose a program, the response light will turn on. Then close the door, the dishwasher will start its cycle.

2.4 Changing The Program Mid-cycle

A program can only be changed if it has been running only for a short period of time, otherwise the detergent may have already been released or the the wash water with detergent has already been drained. If this is the case, the dishwasher needs to be reset and the detergent dispenser must be refilled. To reset the dishwasher, follow the instructions below:

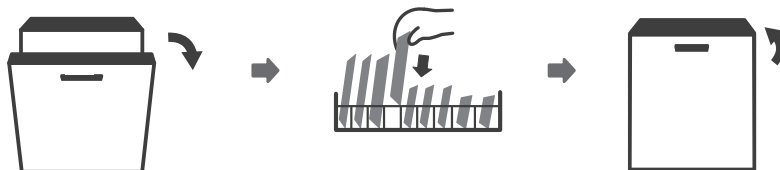
1. Open the door a little to stop the dishwasher, after the spray arm stopped working, you can open the door completely.
2. Press Program button more than three seconds the machine will be in program selection mode.
3. You can change the program to the desired cycle setting.



2.5 Forget To Add A Dish?

A forgotten dish can be added any time before the detergent dispenser opens. If this is the case, follow the instructions below:

1. Open the door a little to stop the washing.
2. After the spray arms stopped working, you can open the door completely.
3. Add the forgotten dishes.
4. Close the door.
5. The dishwasher will start running again.



 **!! WARNING:**



It is dangerous to open the door mid-cycle, as hot steam may scald you.

3. ERROR CODES

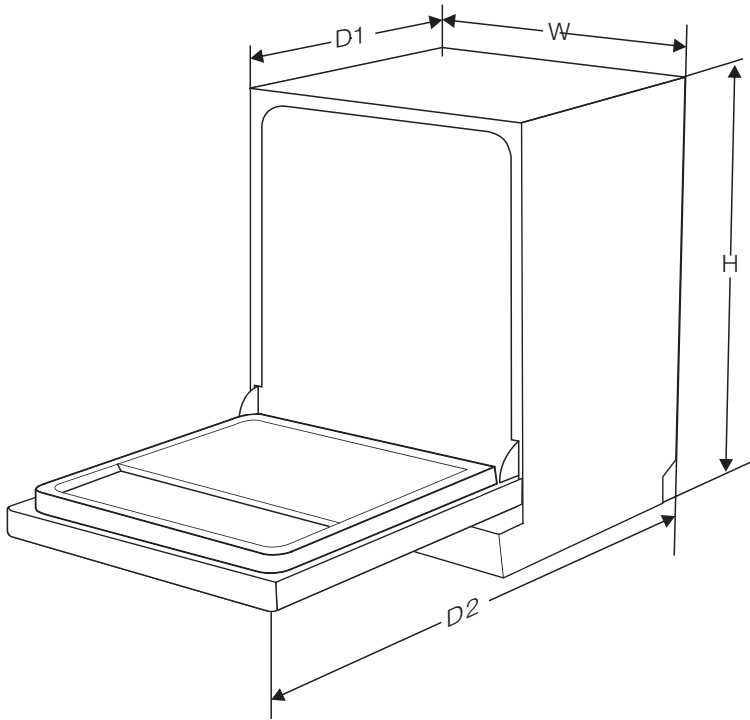
If there is a malfunction the dishwasher will display an error code. The following table shows possible error codes and their causes.

Codes	Meanings	Possible Causes
E1	Longer inlet time.	Faucets is not opened, or water intake is restricted, or water pressure is too low.
E3	Not reaching required temperature.	Malfunction of heating element
E4	Overflow.	Some element of dishwasher leaks
E8	Failure of communication between main PCB with display pcb.	Open circuit or break wiring for the communication.
E9	Keep pressing a button more than 30 seconds.	Water or something on the button.
Ec	Washing control system fail.	PCB or motor fail.
Ed	Failure of communication between main circuit board with display circuit board.	Open circuit or break wiring for the communication.

 **!! WARNING:**

- If there is an error code that cannot be solved, please request professional assistance.

4. TECHNICAL INFORMATION



Height (H)	815mm
Width (W)	598mm
Depth (D1)	550mm (with the door closed)
Depth (D2)	1150mm (with the door opened 90°)

Product information sheet (EN60436)

Supplier's name or trade mark: HAFELE

Model identifier: 538.21.330

General product parameters:

Parameter	Value	Parameter	Value	
Rated capacity (a) (ps)	14	Dimensions in cm	Height	82
			Width	60
			Depth	55
EEI (a)	43,9	Energy efficiency class (a)	C (c)	
Cleaning performance index (a)	1,125	Drying performance index (a)	1,065	
Energy consumption in kWh [per cycle], based on the eco programme using cold water fill. Actual energy consumption will depend on how the appliance is used.	0,747	Water consumption in litres [per cycle], based on the eco program. Actual water consumption will depend on how the appliance is used and on the hardness of the water.	9,8	
Program duration (a) (h:min)	3:18	Type	Built-in	
Airborne acoustical noise emissions (a) (dB(A) re 1 pW)	42	Airborne acoustical noise emission class (a)	B (c)	
Off-mode (W)	0,49	Standby mode (W)	N/A	
Delay start (W) (if applicable)	1,00	Networked standby (W) (if applicable)	N/A	

Minimum duration of the guarantee offered by the supplier (b):

Additional information:

Weblink to the supplier's website, where the information in point 6 of Annex II to Commission Regulation (EU) 2019/2022 (1) (b) is found:

(a)) for the eco program.

(b)) changes to these items shall not be considered relevant for the purposes of paragraph 4 of Article 4 of Regulation (EU) 2017/1369.

(c) if the product database automatically generates the definitive content of this cell the supplier shall not enter these data.

(1) Commission Regulation (EU) 2019/2022 of 1 October 2019 laying down eco design requirements for household dishwashers pursuant to Directive 2009/125/EC of the European Parliament and of the Council amending Commission Regulation (EC) No 1275/2008 and repealing Commission Regulation (EU) No 1016/2010 (see page 267 of this Official Journal).

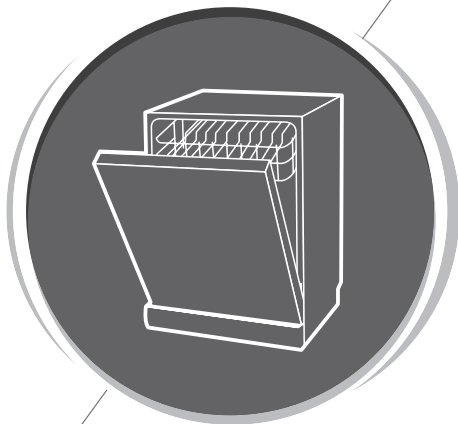
HƯỚNG DẪN SỬ DỤNG

Vietnamese

TÊN SẢN PHẨM

Máy rửa chén âm toàn phần Häfele HDW-FI60AB

Các mã sản phẩm áp dụng: 538.21.330



HƯỚNG DẪN SỬ DỤNG MÁY RỬA BÁT

PHẦN I : Phiên bản chung

Vui lòng đọc kỹ sách hướng dẫn sử dụng này trước khi sử dụng máy rửa bát. Giữ lại sách hướng dẫn sử dụng này để tham khảo về sau.

MỤC LỤC

1. THÔNG TIN AN TOÀN	49
2. TỔNG QUAN VỀ SẢN PHẨM	51
3. SỬ DỤNG MÁY RỬA BÁT	52
3.1 Đổ muối vào ngăn chứa chất làm mềm nước	52
3.2 Mẹo sử dụng rổ	54
4. BẢO TRÌ VÀ VỆ SINH	56
4.1 Vệ sinh bên ngoài	56
4.2 Vệ sinh bên trong	56
4.3 Bảo dưỡng máy rửa bát	58
5. HƯỚNG DẪN LẮP ĐẶT	60
5.1 Kết nối nguồn điện	60
5.2 Cấp và thoát nước	60
5.3 Kết nối ống xả	61
5.4 Lắp đặt thiết bị	62
5.5 Lắp đặt độc lập	62
5.6 Lắp đặt âm tủ (cho kiểu máy tích hợp)	63
6. MẸO XỬ LÝ SỰ CỐ	68
6.1 Tình khả dụng của phụ tùng thay thế	sd
7. XẾP VÀO CÁC RỔ	71
7.1 Mẹo sử dụng Giỏ đựng dao thìa đĩa	73



! LƯU Ý:

- Xem lại phần Mẹo khắc phục sự cố sẽ giúp bạn giải quyết được một số vấn đề thường gặp.
- Nếu bạn không thể tự giải quyết được vấn đề, hãy yêu cầu hỗ trợ từ nhân viên kỹ thuật lành nghề.
- Nhà sản xuất tuân theo chính sách phát triển liên tục và cập nhật sản phẩm, có thể thực hiện điều chỉnh mà không cần thông báo trước.
- Trong trường hợp bị mất hoặc đã lỗi thời, bạn có thể nhận sách hướng dẫn sử dụng mới từ nhà sản xuất hoặc bên bán hàng cho bạn.

1. THÔNG TIN AN TOÀN

⚠ !! CẢNH BÁO: Khi sử dụng máy rửa bát, hãy làm theo các biện pháp phòng ngừa dưới đây:

- Việc lắp đặt và sửa chữa phải được thực hiện bởi nhân viên kỹ thuật đạt tiêu chuẩn
- Thiết bị này được thiết kế để được sử dụng trong hộ gia đình và các ứng dụng tương tự như:
 - khu vực nhà bếp nhân viên trong các cửa hàng, văn phòng và các cơ sở làm việc khác;
 - nhà xây trong trang trại;
 - khách sạn, nhà nghỉ và các cơ sở dạng cư trú khác;
 - các cơ sở lưu trú chỉ bao gồm giường ngủ và bữa sáng.
- Thiết bị này có thể được sử dụng bởi trẻ em từ 8 tuổi trở lên và những người bị suy giảm khả năng thể chất, giác quan hoặc tinh thần hoặc thiếu kinh nghiệm và kiến thức cần được giám sát hoặc hướng dẫn sử dụng thiết bị theo cách thức an toàn và hiểu được những nguy hại đi kèm.
- Trẻ em không được chơi đùa với thiết bị. Trẻ em không được thực hiện vệ sinh và bảo trì nếu không được giám sát. (Đối với EN60335-1)
- Thiết bị này không dành cho những người (bao gồm trẻ em) bị suy giảm thể chất, giác quan hoặc tinh thần, hoặc thiếu kinh nghiệm và kiến thức, trừ khi họ được người chịu trách nhiệm về sự an toàn của họ giám sát hoặc hướng dẫn sử dụng thiết bị. (Đối với IEC60335-1)
- Vật liệu bao gói có thể gây nguy hiểm cho trẻ em!
- Thiết bị này chỉ được thiết kế để sử dụng cho hộ gia đình.
- Để tránh nguy cơ điện giật, không để thiết bị, dây điện hoặc phích cắm tiếp xúc với nước hoặc chất lỏng khác.
- Hãy rút phích cắm trước khi vệ sinh và bảo trì trên thiết bị.
- Sử dụng khăn mềm ẩm với xà phòng dịu nhẹ, và sau đó sử dụng khăn khô để lau lại.

Hướng dẫn nối đất

Thiết bị này cần phải được nối đất. Trong trường hợp trục trặc hay sự cố, nối đất sẽ giảm nguy cơ bị điện giật bằng cách cung cấp một đường điện trở nhỏ nhất cho dòng điện. Thiết bị được trang bị một phích cắm cho dây nối đất.

- Phích cắm phải được cắm vào ổ điện thích hợp, được lắp và nối đất phù hợp với tất cả quy tắc và quy định tại địa phương.
- Kết nối dây nối đất của thiết bị không đúng cách có thể dẫn đến nguy cơ bị điện giật.
- Nếu bạn nghi ngờ thiết bị không kết nối đất đúng cách, hãy liên hệ với nhân viên kỹ thuật hoặc đại diện dịch vụ đạt tiêu chuẩn.
- Không thay đổi phích cắm đi kèm thiết bị; Nếu phích cắm không vừa với ổ cắm.
- Hãy liên hệ với nhân viên kỹ thuật đạt điều kiện để lắp ổ cắm phù hợp.
- Không lạm dụng, ngồi, hoặc đứng trên cửa hoặc ổ đựng bát đĩa của máy rửa bát.
- Không vận hành máy rửa bát khi tất cả các khoang chưa được đặt đúng vị trí thích hợp.
- Mở cửa rất cẩn thận nếu máy rửa bát đang vận hành, có thể có nước tràn ra ngoài.
- Không đặt bất kỳ vật nặng lên hoặc đứng trên cánh cửa khi được mở. Thiết bị có thể bị đổ về phía trước.
- Khi xếp dụng cụ rửa:
 1. Đặt các vật sắc nhọn sao cho chúng không làm hỏng gioăng cửa;
 2. Cảnh báo: Dao và dụng cụ sắc nhọn phải được để trong giỏ có đầu nhọn hướng xuống hoặc được đặt nằm ngang.

- Một số chất tẩy rửa có tính kiềm mạnh. Chúng có thể vô cùng nguy hiểm nếu nuốt phải.
- Tránh tiếp xúc vào da và mắt và giữ trẻ em tránh xa máy rửa bát khi cửa mở.
- Kiểm tra xem bột rửa bát còn hay hết sau khi kết thúc chu trình rửa.
- Không rửa các đồ vật bằng nhựa trừ khi chúng được ghi chú “an toàn với máy rửa bát” hoặc tương tự.
- Đối với các đồ vật nhựa không được ghi chú, kiểm tra khuyến cáo của nhà sản xuất.
- Chỉ sử dụng chất tẩy rửa được khuyến cáo sử dụng cho máy rửa bát.
- Không sử dụng xà phòng, chất tẩy rửa làm sạch quần áo hoặc chất tẩy rửa tay cho máy rửa bát của bạn.
- Cửa không nên để mở vì có thể gây nguy cơ vấp ngã.
- Nếu dây nguồn bị hư hỏng, dây nguồn phải được thay thế bởi nhà sản xuất hoặc đại lý dịch vụ của dây nguồn đó hoặc nhân sự đạt tiêu chuẩn tương tự để tránh gây nguy hiểm
- Trong khi lắp đặt, bộ cấp nguồn không được bẻ cong hoặc kéo căng một cách quá mức hoặc nguy hiểm.
- Không làm xáo trộn các bộ phận điều khiển.
- Thiết bị phải được nối với van nước chính sử dụng các bộ ống mềm mới. Không nên tái sử dụng các bộ ống mềm cũ.
- Để tiết kiệm năng lượng, khi ở chế độ chờ, nếu không có bất kỳ hoạt động nào trong 15 phút, thiết bị sẽ tự động tắt.
- Số lượng bát đĩa được rửa tối đa sẽ là 14.
- Áp lực nước tối đa đầu vào cho phép là 1MPa.
- Áp lực nước tối thiểu đầu vào là 0,04MPa.

Tiêu hủy



Để tiêu hủy vật liệu bao gói và thiết bị, vui lòng liên hệ với trung tâm tái chế. Do đó, hãy ngắt cấp nguồn và vô hiệu hóa thiết bị khóa cửa. Bao bì carton được sản xuất từ giấy tái chế, vì vậy nên bố trí thu gom giấy thải để tái chế.

Bằng việc đảm bảo sản phẩm này được tiêu hủy đúng cách, bạn sẽ giúp ngăn ngừa các hậu quả tiêu cực tiềm ẩn về môi trường và sức khỏe con người, mà nếu không có thể xảy ra do xử lý vật liệu thải của sản phẩm này không đúng cách.

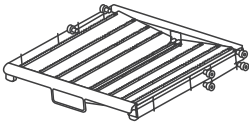
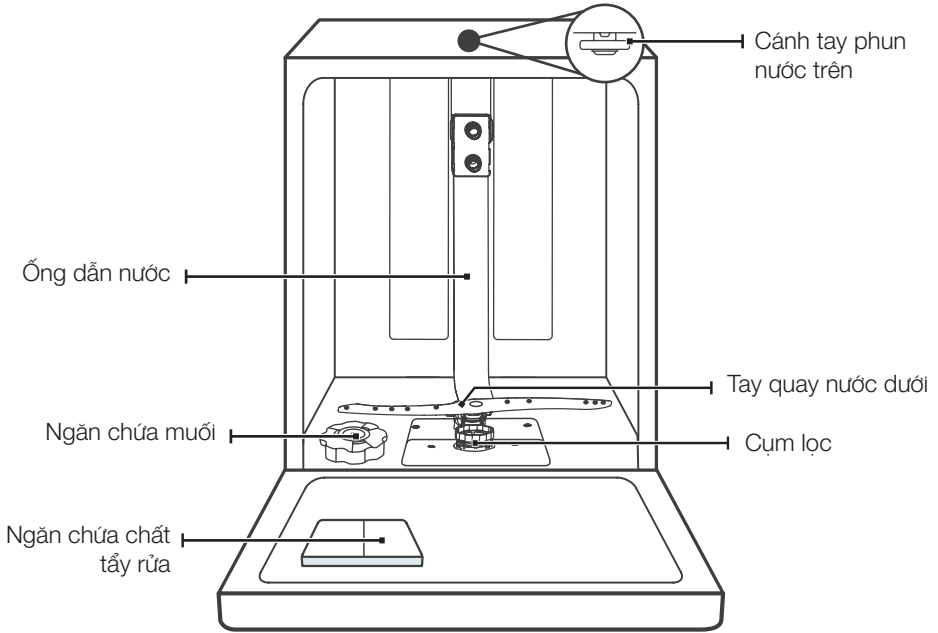
Để biết thông tin chi tiết hơn về tái chế sản phẩm này, vui lòng liên hệ với văn phòng tại địa phương và dịch vụ tiêu hủy chất thải hộ gia đình.

TIÊU HỦY: Không tiêu hủy sản phẩm này như rác thải đô thị chưa phân loại. Thu gom riêng chất thải như vậy để tiêu hủy đặc biệt là điều cần thiết.

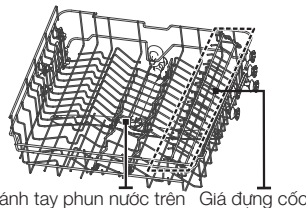
2. TỔNG QUAN VỀ SẢN PHẨM

QUAN TRỌNG:

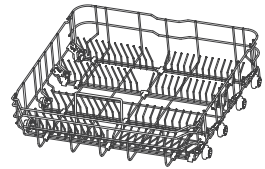
Để có được hiệu suất tốt nhất từ máy rửa bát, hãy đọc tất cả các hướng dẫn vận hành trước khi sử dụng máy rửa bát lần đầu.



Rổ đựng dao thìa đĩa



Rổ đựng trên



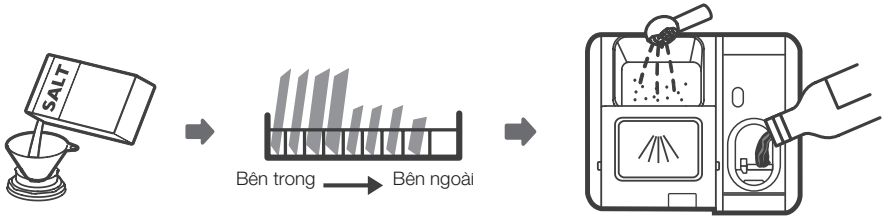
Rổ đựng dưới



! LƯU Ý: Hình ảnh chỉ mang tính chất tham khảo, các kiểu máy khác nhau có thể khác nhau. Vui lòng xem sản phẩm thực.

3. SỬ DỤNG MÁY RỬA BÁT

Trước khi sử dụng máy rửa bát:



1. Chuẩn bị chất làm mềm nước
2. Đổ muối vào ngăn chứa chất làm mềm nước
3. Xếp bát đĩa vào rổ
4. Nạp vào ngăn chứa chất tẩy rửa



Hãy xem mục 1 “Ngăn chứa chất làm mềm nước” thuộc PHẦN : Phiên bản đặc biệt, Nếu bạn muốn chuẩn bị chất làm mềm nước.

3.1 Đổ muối vào ngăn chứa chất làm mềm



! LƯU Ý: Nếu kiểu máy rửa bát của bạn không sử dụng bất kỳ chất làm mềm nước nào, bạn có thể bỏ qua mục này.

Luôn sử dụng muối chuyên dùng cho máy rửa bát.

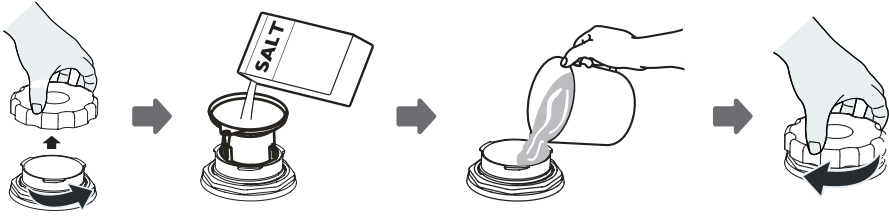
Ngăn chứa muối nằm bên dưới rổ đựng dưới và nên được nạp đầy theo những điều nêu sau đây:



!! CẢNH BÁO:

- Chỉ sử dụng muối chuyên dùng cho máy rửa bát! Mọi loại muối khác không được chuyên dùng cho máy rửa bát, đặc biệt muối ăn, sẽ làm hỏng chất làm mềm nước. Trong trường hợp hư hại do sử dụng muối không phù hợp, nhà sản xuất sẽ không bảo hành và không chịu trách nhiệm về bất kỳ thiệt hại nào phát sinh.
- Chỉ đổ muối trước khi bắt đầu chu trình rửa. Điều này sẽ tránh gây ra ăn mòn ở phần đáy của máy bất cứ lúc nào do đổ muối hạt hoặc nước muối.

Hãy làm theo các bước sau đây để thêm muối dành cho máy rửa bát:



1. Tháo rổ đựng dưới và mở nắp ngăn chứa.
2. Đặt đáy phễu (nếu đi kèm) vào lỗ và đổ khoảng 1,5kg muối dành cho máy rửa bát.
3. Đổ đầy nước vào ngăn chứa muối tới mức tối đa, một ít nước tràn ra khỏi ngăn chứa muối là bình thường.
4. Sau khi đổ muối vào ngăn chứa xong, hãy vặn nắp thật chặt.
5. Đèn báo mực muối sẽ dừng sau khi đổ đầy khoang chứa muối.
6. Sau khi đổ muối vào ngăn chứa muối xong, nên khởi động chương trình rửa (Chúng tôi khuyến nghị nên sử dụng chương trình ngắn). Nếu không hệ thống lọc, bơm hoặc các bộ phận quan trọng khác của máy có thể bị hư hỏng do nước muối. Hồng học này không bao gồm trong bảo hành.

! LƯU Ý:

- Ngăn chứa muối chỉ được nạp lại khi đèn báo mực muối (☹) trên bảng điều khiển sáng. Tùy thuộc vào mức độ hòa tan của muối, đèn báo mực muối vẫn có thể được bật ngay cả khi ngăn chứa muối được nạp đầy. Nếu không có đèn báo mực muối trên bảng điều khiển (đối với một số Kiểu máy), bạn có thể ước tính khi nào cần đổ muối vào ngăn chứa chất làm mềm nước thông qua các chu trình mà máy rửa bát đã chạy.
- Nếu muối đã được nạp đầy, hãy chạy chương trình ngâm hoặc nhanh để xả muối.

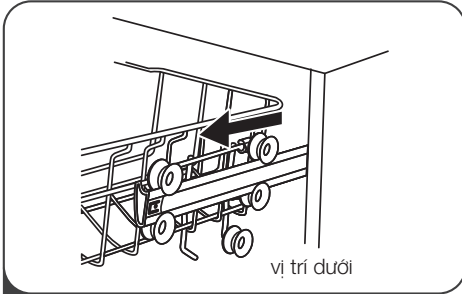
3.2 Mẹo sử dụng rổ

Điều chỉnh rổ đựng trên

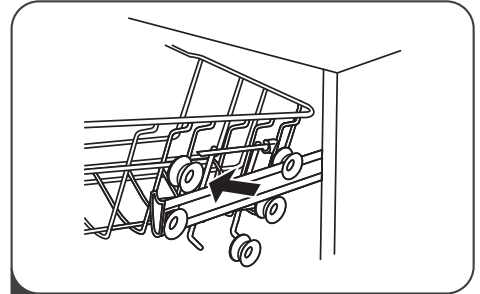
Kiểu 1:

Chiều cao rổ đựng trên có thể dễ dàng điều chỉnh để vừa với bát đĩa cao hơn trong rổ đựng trên hoặc dưới.

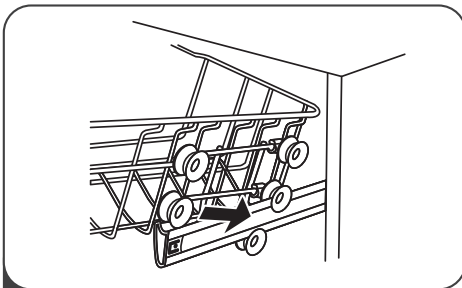
Để điều chỉnh được chiều cao của rổ đựng trên, hãy làm theo các bước sau:



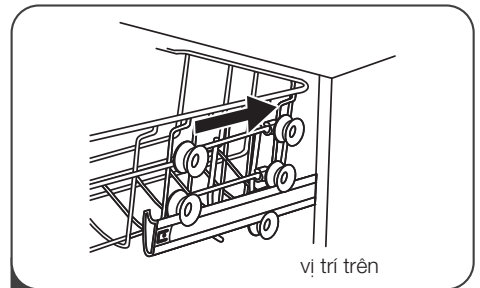
1 Kéo rổ đựng trên ra ngoài.



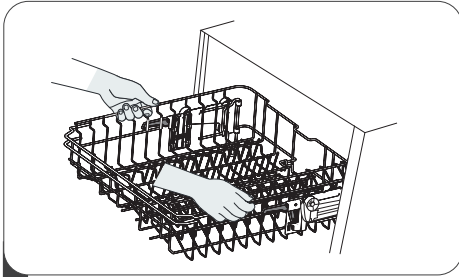
2 Tháo rổ đựng trên



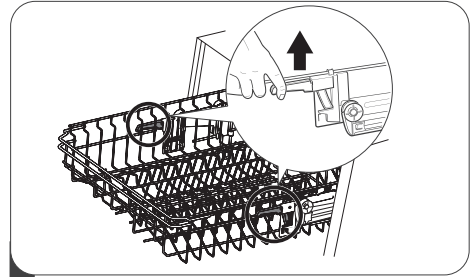
3 Gắn lại rổ vào theo bánh xe trên hoặc dưới



4 Đẩy rổ đựng trên vào trong

Kiểu 2:

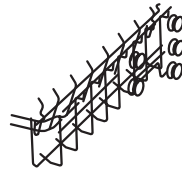
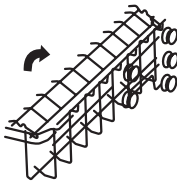
- 1** Để nâng rổ đựng trên, chỉ nâng rổ đựng trên ở phần giữa mỗi bên đến khi rổ khóa vào đúng vị trí trên. Không cần nâng cân điều chỉnh.



- 2** Để hạ rổ đựng trên, nâng các cân điều chỉnh ở mỗi bên để gỡ rổ ra và hạ rổ xuống vị trí dưới.

Gập giá đựng cốc

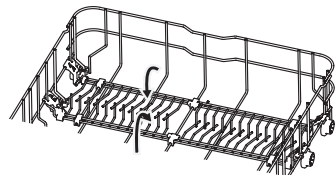
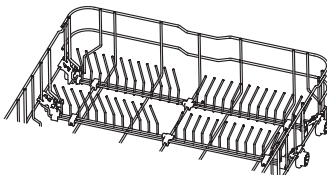
Để chứa chỗ cho những vật dụng cao hơn trong rổ đựng trên, hãy nâng giá đựng cốc lên trên. Sau đó bạn có thể dựa các ly cao vào giá. Bạn cũng có thể tháo giá ra nếu không cần sử dụng.

**Gập rổ, giá**

Các gai của rổ đựng dưới được dùng để giữ đĩa. Chúng có thể được hạ xuống để mở rộng không gian cho các vật dụng lớn.

nâng lên trên

gập ra phía sau



4. BẢO TRÌ VÀ VỆ SINH

4.1 Làm sạch bên ngoài

Cửa và gioăng cửa

Thường xuyên vệ sinh gioăng cửa bằng khăn mềm ẩm để loại bỏ cặn thực phẩm.

Khi máy rửa bát đang hoạt động, dư lượng thực phẩm và đồ uống có thể đọng lại ở hai bên cửa.

Các bề mặt này nằm bên ngoài khoang rửa, và nước không thể tiếp xúc được thông qua các cánh tay phun. Bất kỳ dư lượng nào cũng phải được lau sạch trước khi đóng cửa lại.

Bảng điều khiển

Nếu cần thiết phải vệ sinh bảng điều khiển, chỉ được lau bằng khăn mềm ẩm.

⚠ !! CẢNH BÁO:

- Để tránh sự xâm nhập của nước vào bên trong khóa cửa và các bộ phận điện, không sử dụng các loại sản phẩm làm sạch kiểu phun.
- Không sử dụng các sản phẩm làm sạch hoặc miếng tẩy rửa có tính ăn mòn trên bề mặt ngoài vì chúng có thể làm trầy xước lớp sơn. Một số loại khăn giấy cũng có thể làm xước hoặc để lại dấu vết trên bề mặt.

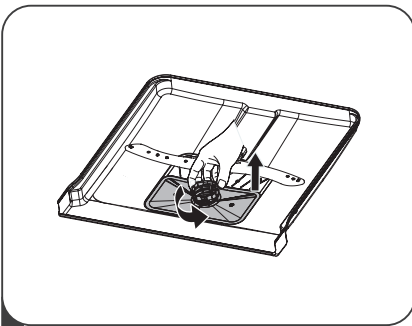
4.2 Làm sạch bên trong

Hệ thống lọc

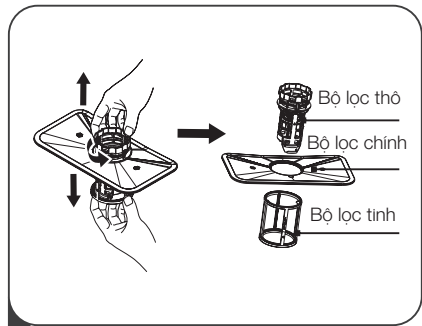
Hệ thống lọc ở đế khoang rửa giữ lại các mảnh vụn thô từ chương trình rửa. Các mảnh vụn thô tích tụ này có thể làm tắc nghẽn bộ lọc. Kiểm tra tình trạng bộ lọc thường xuyên và làm sạch dưới vòi nước nếu cần. Hãy làm theo các bước dưới đây để làm sạch bộ lọc trong khoang rửa.



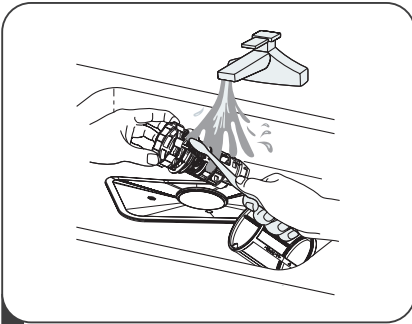
! LƯU Ý: Hình ảnh chỉ mang tính chất tham khảo, các kiểu máy khác nhau có hệ thống lọc và các cánh tay phun có thể khác nhau.



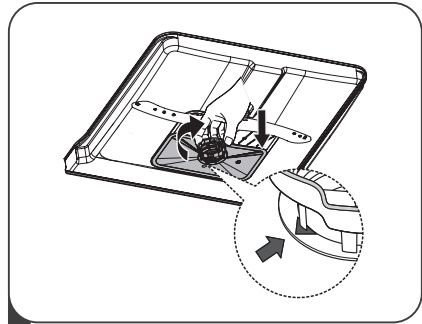
1 Giữ bộ lọc thô và xoay ngược chiều kim đồng hồ để mở khóa bộ lọc. Nâng bộ lọc lên và tháo ra khỏi máy rửa bát.



2 Có thể tháo bộ lọc tinh ra khỏi dây cụm lọc. Có thể gỡ bộ lọc tinh ra khỏi bộ lọc chính bằng cách bóp nhẹ các vấu ở phía trên và kéo bộ lọc tinh ra



3 Có thể làm sạch dư lượng thực phẩm lớn bằng cách rửa bộ lọc dưới vòi nước .
Để làm sạch kỹ hơn, hãy sử dụng bàn chải mềm



4 Lắp lại các bộ lọc theo thứ tự ngược lại, thay thế bộ lọc, lắp và xoay theo chiều kim đồng hồ theo hướng mũi tên.

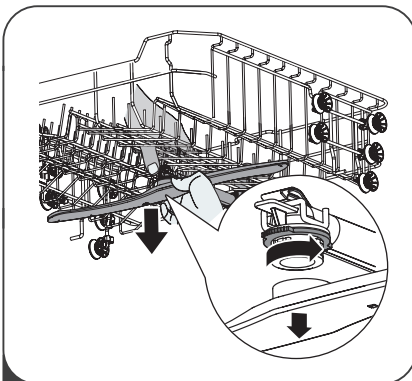
!! CẢNH BÁO:

- Không được siết chặt bộ lọc. Đặt bộ lọc lại theo đúng trình tự một cách chắc chắn, nếu không các mảnh vụn thô sẽ xâm nhập vào hệ thống và làm tắc nghẽn. Không được sử dụng máy rửa bát không gắn bộ lọc. Việc thay thế bộ lọc không đúng cách có thể làm giảm hiệu suất của thiết bị và làm hỏng bát đĩa và các vật dụng.

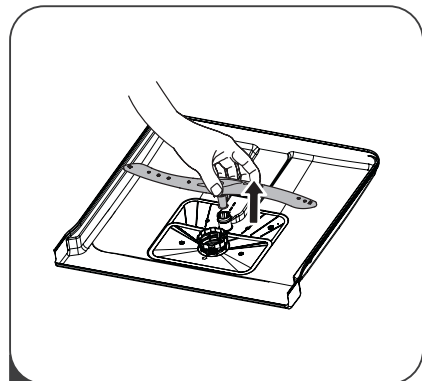
Hệ thống cánh tay phun

Làm sạch hệ thống cánh tay phun là cần thiết vì hóa chất trong nước cứng có thể làm tắc nghẽn các lỗ phun và ổ trục của cánh tay phun.

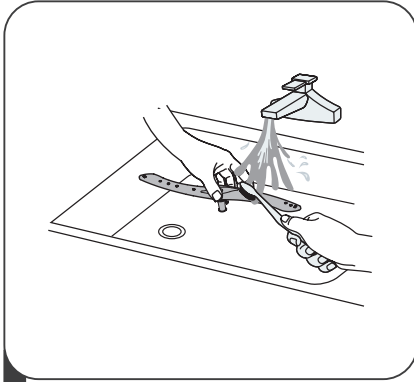
Để làm sạch hệ thống cánh tay phun, hãy làm theo hướng dẫn sau đây:



1 Để tháo cánh tay phun trên, giữ đai ốc ở giữa và xoay cánh tay phun ngược chiều kim đồng hồ để tháo ra.



2 Để tháo cánh tay phun dưới, kéo cánh tay phun lên trên.



- 3** Rửa cánh tay phun bằng nước xà phòng ấm và sử dụng bàn chải mềm để sạch các lỗ phun.

4.3 Bảo dưỡng máy rửa bát

Để phòng đóng băng

Hãy thực hiện các biện pháp bảo vệ chống đóng băng trên máy rửa bát vào mùa đông. Sau mỗi chu trình rửa, hãy thực hiện như sau:

1. Ngắt nguồn điện của máy rửa bát tại nguồn.
2. Tắt nguồn cung cấp nước và ngắt ống dẫn nước ra khỏi van nước.
3. Xả nước từ ống dẫn nước và van nước. (Sử dụng khay hứng nước)
4. Nối lại ống dẫn nước vào van nước.
5. Thao bộ lọc ở đáy bồn và sử dụng miếng bọt biển để thấm nước trong rãnh gom.

Sau mỗi lần rửa

Sau mỗi lần rửa, hãy tắt nguồn cấp nước cho thiết bị và mở hé cửa để hơi ẩm và mùi không đọng lại bên trong.

Tháo phích cắm

Trước khi thực hiện vệ sinh và bảo trì, luôn tháo phích cắm khỏi ổ cắm.

Không sử dụng dung môi hoặc chất tẩy rửa mài mòn

Để làm sạch bên ngoài và bộ phận bằng cao su của máy rửa bát, không sử dụng dung môi hoặc các sản phẩm tẩy rửa có tính mài mòn. Chỉ sử dụng khăn với nước xà phòng ấm.

Để loại bỏ các vết bẩn ở bề mặt bên trong, hãy sử dụng khăn ẩm với một ít giấm hoặc sản phẩm tẩy rửa dành riêng cho máy rửa bát.

Khi không sử dụng trong thời gian dài

Bạn nên chạy một chu trình trống cho máy rửa bát, sau đó tháo phích cắm ra khỏi ổ cắm, tắt nguồn cấp nước và mở hé cửa của thiết bị. Điều này sẽ giúp kéo dài tuổi thọ gioăng cửa và ngăn bốc mùi trong thiết bị.

Di chuyển thiết bị

Nếu thiết bị phải di chuyển, hãy cố gắng giữ thiết bị ở vị trí thẳng đứng. Nếu thực sự cần thiết, có thể đặt vị trí ở mặt sau của thiết bị.

Gioăng cửa

Một trong những yếu tố khiến cho mùi được tạo ra trong máy rửa bát là thức ăn thừa vẫn còn bám trong các gioăng cửa. Làm sạch định kỳ bằng miếng bọt biển ẩm sẽ tránh tình trạng này xảy ra.

5. HƯỚNG DẪN LẮP ĐẶT

⚠️ !! CẢNH BÁO:



Cảnh báo điện giật

Ngắt kết nối nguồn điện trước khi lắp đặt máy rửa bát.
Không tuân thủ có thể dẫn đến tử vong hoặc điện giật.

Chú ý!

Việc lắp đặt đường ống và thiết bị điện phải được thực hiện bởi nhân viên kỹ thuật lành nghề

5.1 Về kết nối nguồn điện

⚠️ !! CẢNH BÁO:

Vì sự an toàn cá nhân:

- Không sử dụng dây nối hoặc phích điều hợp cho thiết bị này.
- Không được ngắt hoặc tháo nối đất dây nguồn trong bất kỳ trường hợp nào.

Yêu cầu về điện

Vui lòng xem nhân máy để biết cấp điện áp và kết nối máy rửa bát với nguồn điện phù hợp. Sử dụng cầu chì tiêu chuẩn 10A/13A/16A, cầu giao điện hoặc bộ ngắt mạch được khuyến nghị và cung cấp mạch riêng cho thiết bị này.

Kết nối điện:

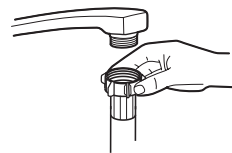
Đảm bảo điện áp và tần số của nguồn điện tương ứng với thông số trên nhân máy. Chỉ cắm phích cắm vào ổ cắm điện được nối đất đúng cách. Nếu ổ cắm điện không phù hợp với phích cắm, thay thế ổ cắm điện, thay vì sử dụng bộ điều hợp hoặc các thiết bị tương tự vì chúng có thể gây quá nóng và gây bỏng.

⚠️ Đảm bảo rằng thiết bị được nối đất trước khi sử dụng

5.2 Cấp và thoát nước

Kết nối nước lạnh

Nối ống cấp nước lạnh vào đầu nối đến 3/4(inch) ren và chắc chắn rằng ống được gắn đúng vị trí. Nếu các đường ống nước mới hoặc không được sử dụng trong một thời gian dài, hãy để nước chảy để đảm bảo nước trong. Phòng ngừa này là cần thiết để tránh nguy cơ đầu vào của nước bị tắc và làm hỏng thiết bị



ống cấp nước thông thường



ống cấp nước an toàn

Về ống cấp nước an toàn

Ống cấp nước an toàn bao gồm các thành kếp. Hệ thống của ống đảm bảo sự can thiệp bằng cách ngăn chặn dòng chảy của nước trong trường hợp bị vỡ ống cấp nước và khi không gian trống giữa ống cấp nước và ống dạng sóng ngoài chứa đầy nước

⚠️ !! CẢNH BÁO:

Ống nước gắn với vòi phun của bồn rửa có thể bị vỡ nếu lắp đặt trên cùng một đường ống nước với máy rửa bát. Nếu có một bồn rửa, nên ngắt kết nối của ống và bít lỗ lại

Làm thế nào để kết nối ống cấp nước an toàn

1. Kéo toàn bộ ống cấp nước an toàn ra khỏi khoang chứa phía sau máy rửa bát.
2. Siết chặt các vít của ống cấp nước an toàn vào vòi đến 3/4inch ren.
3. Mở nước đầy trước khi khởi động máy rửa bát.

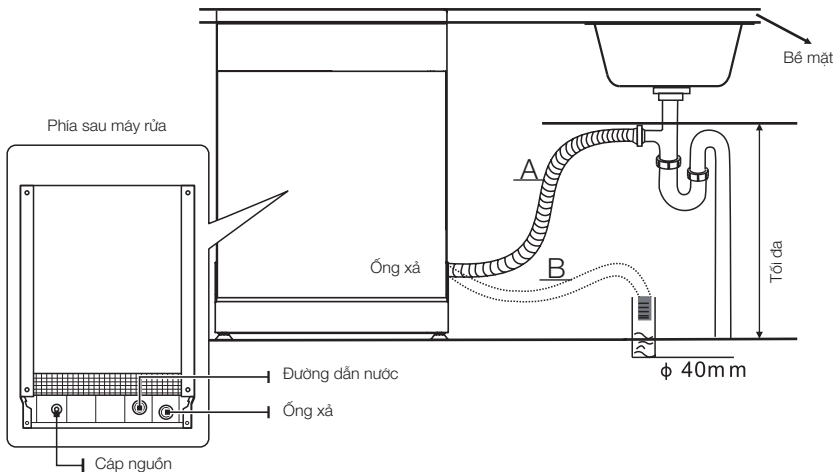
Làm thế nào để ngắt kết nối ống cấp nước an toàn

1. Ngắt nước.
2. Tháo ống cấp nước an toàn ra khỏi vòi.

5.3 Kết nối các ống xả

Lắp ống xả vào một ống xả có đường kính tối thiểu là 4 cm, hoặc để ống xả chảy vào bồn rửa, đảm bảo ống xả không bị gấp hoặc gấp. Chiều cao của ống xả phải nhỏ hơn 1000mm. Đầu ống tự do không được ngâm trong nước để tránh tình trạng tràn ngược

⚠️ Hãy cố định ống xả ở vị trí A hoặc vị trí B



Làm thế nào để xả nước dư từ ống

Nếu bồn rửa cao hơn 1000mm so với mặt sàn, thì không thể xả trực tiếp nước dư trong ống vào bồn rửa. Khi đó cần xả nước dư từ ống vào chậu hoặc vật chứa phù hợp bên ngoài thấp hơn bồn rửa.

Đường thoát nước

Kết nối ống xả nước. Ống xả phải được lắp đúng cách để tránh rò rỉ nước. Đảm bảo ống xả nước không bị xoắn hoặc bị đè lên.

Ống mở rộng

Nếu bạn cần một ống xả mở rộng, đảm bảo rằng bạn sử dụng một ống xả tương tự. Ống xả mở rộng không được dài quá 4 mét; nếu không ống này sẽ làm giảm hiệu quả làm sạch của máy rửa bát.

Kết nối ống xi phong

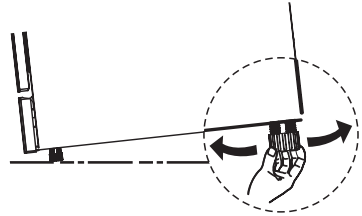
Kết nối ống thải phải ở độ cao dưới 100 cm (tối đa) từ đáy máy rửa bát. Ống xả nên được giữ cố định.

5.4 Lắp đặt thiết bị

Lắp đặt thiết bị ở vị trí mong muốn. Mặt sau phải tựa vào bức tường phía sau và hai bên, dọc theo các tủ hoặc tường liền kề. Máy rửa bát được trang bị ống cấp nước và các ống xả có thể được đặt bên phải hoặc bên trái để thuận tiện cho việc lắp đặt đúng cách.

Điều chỉnh thiết bị

Khi thiết bị được định vị để cân bằng, chiều cao của máy rửa bát có thể được thay đổi thông qua việc điều chỉnh mức độ vặn vít của chân máy. Trong mọi trường hợp, thiết bị không được nghiêng quá 2°.



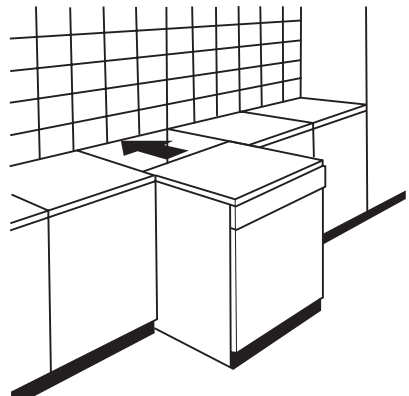
LƯU Ý: Chỉ áp dụng cho máy rửa bát độc lập.

5.5 Lắp đặt độc lập

Cố định thiết bị vào giữa các khoang tủ hiện có

Chiều cao của máy rửa bát, 845 mm, được thiết kế để phù hợp với các kích thước các khoang tủ hiện có cùng chiều cao với nhà bếp hiện đại. Chân máy có thể được điều chỉnh đến đúng độ cao.

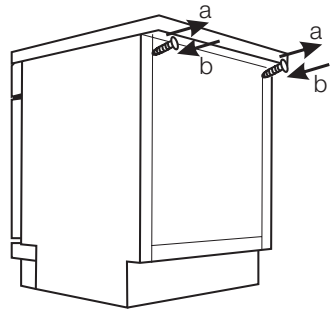
Lớp mặt trên của máy không cần bảo vệ đặc biệt vì chúng có khả năng cách nhiệt, chống trầy xước và chống bám bẩn



Bên dưới bề mặt làm việc hiện có

(Khi lắp âm tủ)

Trong hầu hết các căn bếp hiện đại, chỉ có một mặt tủ bên trên và các thiết bị điện được lắp đặt cố định bên dưới. Trong trường hợp này, hãy tháo bề mặt làm việc của máy rửa bát bằng cách tháo các vít bên dưới cạnh sau của bề mặt làm việc (a).



CHÚ Ý!

Sau khi tháo bề mặt làm việc, các vít phải được vận lại bên dưới cạnh sau của bề mặt làm việc (b).

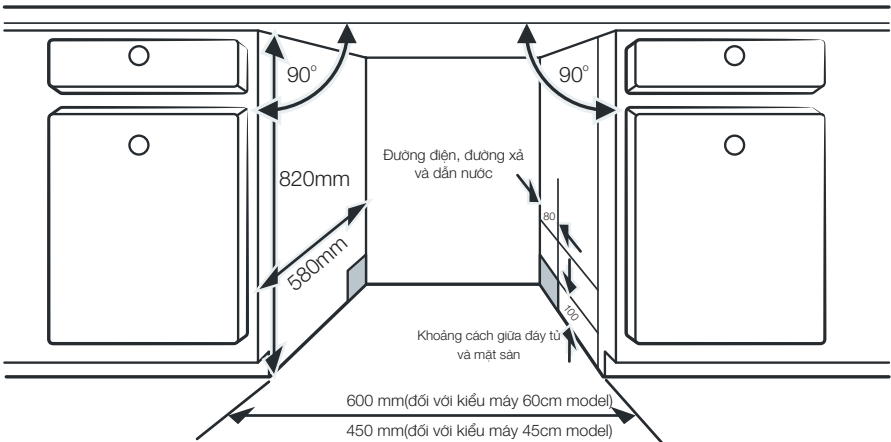
Chiều cao sau đó sẽ được giảm xuống còn 815 mm, theo dữ liệu trong Quy định quốc tế (ISO) và máy rửa bát sẽ được cố định bên dưới bề mặt làm việc

5.6 Lắp đặt âm tủ(cho kiểu máy tích hợp)

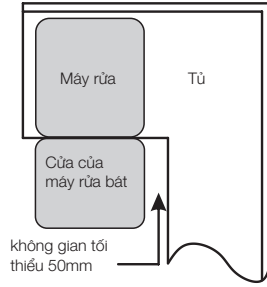
Bước 1. Lựa chọn vị trí lý tưởng cho máy rửa bát

Vị trí lắp đặt máy rửa bát phải được đặt gần ống dẫn nước, ống xả và dây nguồn. Hình ảnh minh họa cho kích thước tủ và vị trí lắp đặt máy rửa bát.

1. Mặt trên của máy rửa bát, tủ và cửa ngoài được căn chỉnh với tủ phải cách nhau ít nhất 5 mm.



2. Nếu máy rửa bát được đặt ở góc tủ, cần có khoảng trống khi cửa mở.



LƯU Ý: Tùy thuộc vào nơi đặt ổ cắm điện của bạn, bạn có thể phải khoan một lỗ ở bên tủ đối diện..

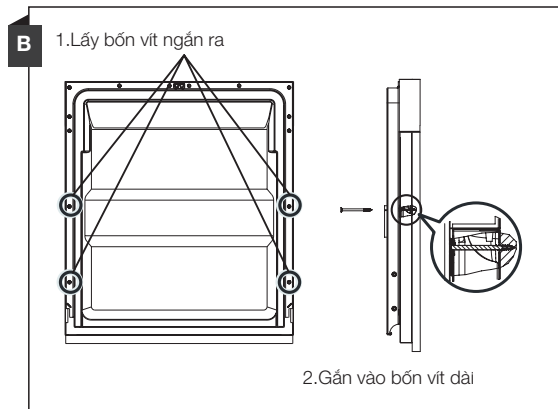
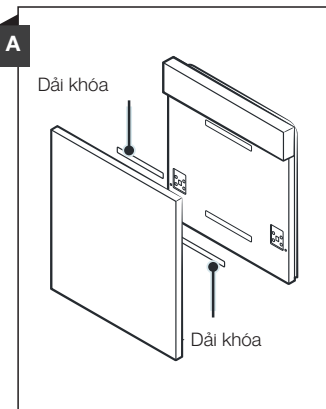
Bước 2. Kích thước và lắp đặt ốp thẩm mỹ



Làm theo hướng dẫn lắp đặt để gắn ốp cửa thẩm mỹ.

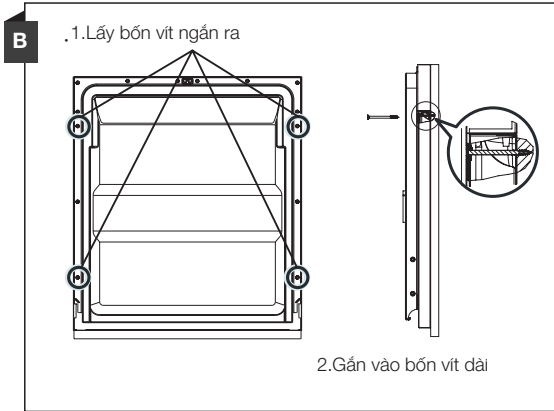
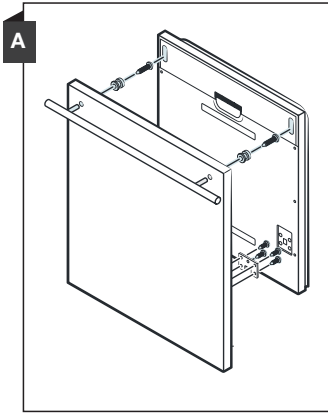
Kiểu máy bán âm

Tách riêng dải khóa dán A và dải khóa dán B và gắn dải khóa dán A ở mặt trong của ốp thẩm mỹ. Gắn dải khóa dán bằng ni B trên cửa ngoài của máy rửa bát (xem hình A). Sau khi đặt vị trí ốp, cố định ốp lên cửa bằng các vít và bu lông (xem hình B).



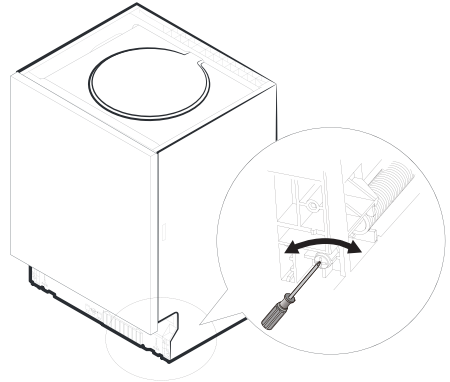
Kiểu máy âm toàn phần

Lắp móc vào ổp thẩm mỹ và đặt móc vào khe cửa ngoài của máy rửa bát (xem hình A). Sau khi đặt vị trí ổp, cố định ổp lên cửa bằng các vít và bu lông (xem hình B).

**Bước 3. Điều chỉnh độ căng của lò xo cửa**

1. Lò xo cửa được điều chỉnh tại nhà máy để có độ căng phù hợp cho cửa ngoài. Nếu lắp đặt ổp gỗ thẩm mỹ, bạn sẽ phải điều chỉnh độ căng lò xo của cửa. Xoay vít điều chỉnh để làm cho bộ điều chỉnh kéo căng hoặc giãn cáp thép.

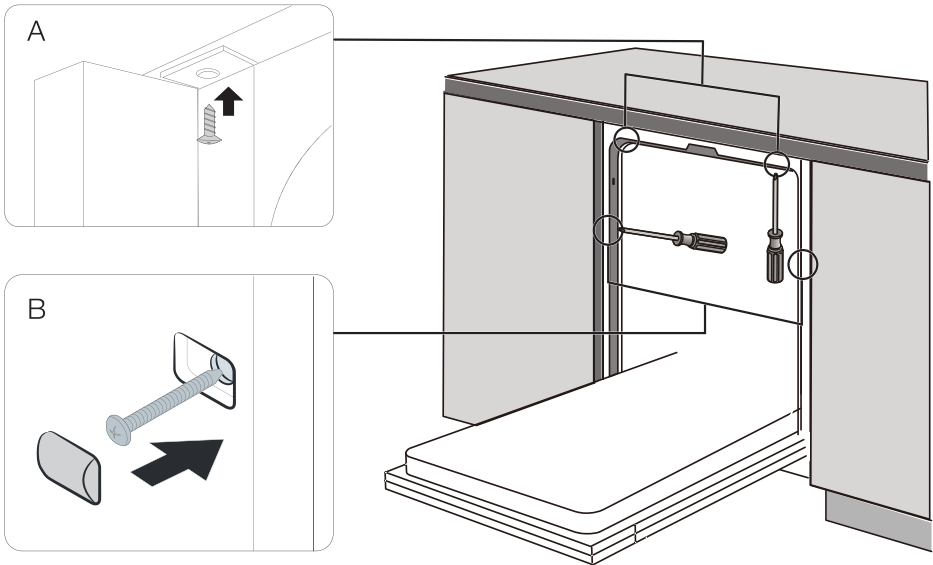
2. Độ căng của lò xo cửa chính xác khi cửa vẫn nằm ngang ở vị trí mở hoàn toàn, nhưng đóng lại bằng cách nhấc nhẹ ngón tay.

**Bước 4. Các bước lắp đặt máy rửa bát**

Vui lòng tham khảo các bước lắp đặt quy định theo bản vẽ lắp đặt.

1. Gắn khay nước ngưng bên dưới bề mặt làm việc của tủ. Hãy đảm bảo khay nước ngưng ngang bằng với cạnh của bề mặt làm việc. (Bước 2)
2. Nối ống dẫn nước vào nguồn cấp nước lạnh.
3. Kết nối ống xả.
4. Kết nối dây nguồn.
5. Đặt máy rửa bát vào đúng vị trí. (Bước 4)
6. Cân chỉnh máy rửa bát. Chân sau có thể được điều chỉnh từ mặt trước của máy rửa bát bằng cách vặn vít ở giữa chân đế của máy rửa bát, sử dụng một vít . Để điều chỉnh các chân trước, hãy sử dụng một tua vít phẳng và xoay các chân trước đến khi máy rửa bát cân bằng. (Bước 5 đến Bước 6)
7. Lắp cửa gỗ vào cửa ngoài của máy rửa bát. (Bước 7 đến Bước 10)
8. Điều chỉnh độ căng của các lò xo cửa bằng cách sử dụng khóa đầu lục giác quay theo chiều kim đồng hồ để siết chặt lò xo cửa bên trái và bên phải. Không tuân thủ có thể gây hỏng máy rửa bát của bạn. (Bước 11)
9. Máy rửa bát phải được cố định đúng vị trí. Có hai cách để thực hiện điều này

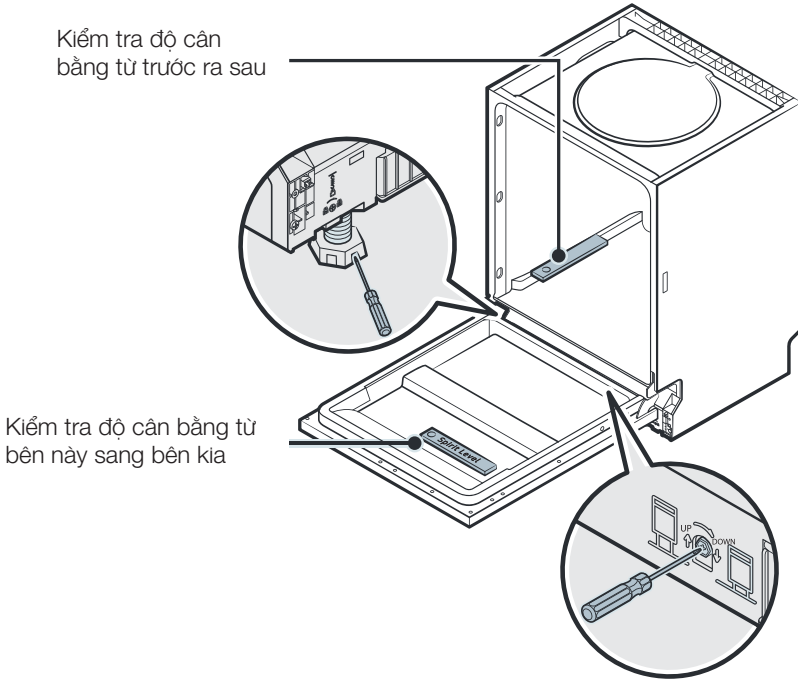
- A. Bề mặt làm việc thông thường: Đặt móc lắp ráp vào rãnh của mặt phẳng bên và cố định móc này vào bề mặt làm việc bằng các vít gỗ.
- B. Mặt đá cẩm thạch hoặc đá hoa cương: Cố định phía bên bằng Vít.



Bước 5. Cân chỉnh máy rửa bát

Máy rửa bát đĩa phải cân bằng để đỡ bát đĩa hoạt động chính xác và hiệu suất rửa thích hợp.

1. Đặt ống bột nước trên cửa và thanh trượt cửa ở bên trong thùng như hình minh họa để kiểm tra xem máy rửa bát có cân bằng không.
2. Cân bằng máy rửa bát bằng cách điều chỉnh ba chân cân bằng riêng.
3. Khi cân bằng máy rửa bát, hãy chú ý không để máy rửa bát lật ngược.



LƯU Ý: Chiều cao điều chỉnh tối đa của chân là 50 mm.

6. MẸO XỬ LÝ SỰ CỐ

Trước khi gọi dịch vụ

Vấn đề	Nguyên nhân có thể	Khắc phục
Máy rửa bát không hoạt động	Đứt cầu chì hoặc xảy ra ngắn mạch.	Thay cầu chì hoặc cài lại bộ cắt mạch. Tháo bất kỳ thiết bị nào dùng chung mạch với máy rửa bát.
	Không có nguồn điện.	Đảm bảo máy rửa bát được bật và cửa đóng chặt. Đảm bảo dây nguồn được cắm đúng cách vào ổ cắm chìm ở tường.
	Áp suất nước thấp	Kiểm tra nguồn cấp nước có được kết nối đúng cách và nước được bật hay không.
	Không đóng cửa đúng cách.	Hãy đảm bảo đóng cửa đúng cách và chốt cửa.
Nước không bơm được từ máy rửa bát	Ống xả bị xoắn hoặc kẹt.	Kiểm tra ống xả.
	Bộ lọc bị tắc.	Kiểm tra bộ lọc thô.
	Bồn rửa bị tắc.	Kiểm tra bồn rửa để đảm bảo bồn rửa thoát nước tốt. Nếu vấn đề là bồn rửa không xả nước, bạn cần một thợ sửa ống nước thay vì thợ sửa chữa máy rửa bát để kiểm tra cho bạn.
Cặn trong thùng rửa	Không dùng chất tẩy rửa.	Chỉ sử dụng chất tẩy rửa máy rửa bát chuyên dụng để tránh bọt. Nếu điều này xảy ra, hãy mở máy rửa bát để bọt bay hơi. Thêm khoảng 1 ga-lông nước vào đáy máy rửa bát. Đóng cửa máy rửa bát và chọn chu trình bất kỳ. Ban đầu, máy rửa bát sẽ xả nước. Mở cửa sau khi hoàn thành giai đoạn xả nước và kiểm tra xem đã hết bọt chưa. Lặp lại nếu cần thiết.
	Nước trợ xả bị tràn.	Luôn lau sạch nước trợ xả tràn ngay lập tức.
Bên trong thùng rửa sẫm màu	Có thể đã sử dụng chất tẩy rửa có màu.	Đảm bảo rằng chất tẩy rửa không có màu.
Màng trắng ở bề mặt bên trong	Khoáng chất trong nước cứng.	Để vệ sinh bên trong, hãy sử dụng miếng bọt biển ẩm với chất tẩy rửa của máy rửa bát và đeo găng tay cao su. Không được sử dụng các chất tẩy rửa không phải là chất tẩy rửa của máy rửa bát vì chúng có thể tạo bọt.

Vấn đề	Nguyên nhân có thể	Khắc phục
Có các vết gỉ trên dao thìa đĩa	Các vật dụng bị ảnh hưởng không chống ăn mòn.	Tránh rửa các vật dụng không chống ăn mòn trong máy rửa bát.
	Một chương trình đã không chạy sau khi thêm muối của máy rửa bát. Một lượng nhỏ muối đã đi vào chu trình rửa.	Luôn chạy chương trình rửa không có bát đĩa bằng sành sau khi thêm muối. Không chọn chức năng Turbo (nếu có), sau khi thêm muối của máy rửa bát.
	Nắp ngăn chứa muối bị lỏng.	Kiểm tra xem nắp ngăn muối đã đóng chặt hay chưa.
Tiếng ồn va đập trong máy rửa bát	Cánh tay phun đang chạm vào một vật dụng trong rổ đựng	Dừng chương trình và sắp xếp lại vật dụng cản trở cánh tay phun.
Tiếng ồn lớn trong máy rửa bát	Bát đĩa bằng sành để lỏng lẻo trong máy rửa bát.	Dừng chương trình và sắp xếp lại bát đĩa bằng sành.
Tiếng ồn va đập trong các ống nước	Điều này có thể do lắp đặt tại chỗ hoặc mặt cắt ngang đường ống.	Điều này không ảnh hưởng đến chức năng rửa bát. Nếu nghi ngờ, hãy liên hệ với thợ sửa ống nước đạt tiêu chuẩn.
Bát đĩa không sạch	Xếp bát đĩa không đúng cách.	Xem PHẦN II "Chuẩn bị và xếp bát đĩa".
	Chương trình rửa không đủ mạnh.	Chọn chương trình rửa mạnh hơn
	Không đủ chất tẩy rửa được phân phối.	Thêm chất tẩy rửa hoặc đổi chất tẩy rửa khác.
	Các vật đang chặn chuyển động của các cánh tay phun.	Sắp xếp lại các vật dụng để không cản trở hệ thống phun.
	Bộ lọc kết hợp không sạch hoặc không được lắp đúng vào đáy lồng rửa. Điều này có thể khiến cho các lỗ phun của cánh tay phun bị tắc.	Vệ sinh và/hoặc lắp bộ lọc đúng cách. Vệ sinh các lỗ phun của cánh tay phun.
Đồ thủy tinh bị mờ.	Sự kết hợp của nước mềm và quá nhiều chất tẩy rửa.	Sử dụng ít chất tẩy rửa hơn nếu bạn có nước mềm và chọn một chu trình ngắn hơn để rửa đồ thủy tinh và làm sạch chúng.
Những đốm trắng trên bát đĩa và ly.	Vùng nước cứng có thể gây ra cặn vôi.	Thêm chất tẩy rửa.
Các vết đen hoặc xám trên bát đĩa	Đồ dùng bằng nhôm đã cọ xát vào bát đĩa	Sử dụng chất tẩy rửa tinh mài mòn nhẹ để loại bỏ những vết đó.
Vẫn còn chất tẩy rửa trong ngăn chứa	Bát đĩa cản trở ngăn chứa chất tẩy rửa	Xếp lại bát đĩa đúng cách.

Vấn đề	Nguyên nhân có thể	Khắc phục
Bát đĩa không khô	Xếp không đúng cách	Xếp bát đĩa vào máy rửa bát theo hướng dẫn.
	Lấy bát đĩa ra quá sớm	Không làm trống máy rửa bát ngay sau khi rửa. Mở hé cửa để bay hơi. Lấy bát đĩa ra khi nhiệt độ bên trong an toàn để có thể chạm vào bát đĩa. Lấy từ rổ đựng dưới trước để tránh rớt nước xuống từ rổ đựng trên.
	Lựa chọn không đúng chương trình rửa.	Với một chương trình rửa ngắn, nhiệt độ rửa thấp hơn, làm giảm hiệu suất làm sạch. Chọn chương trình có thời gian rửa lâu hơn.
	Sử dụng dao thìa đĩa có chất lượng lớp bề mặt kém.	Việc thoát nước khó khăn hơn đối với các vật dụng này. Dao thìa đĩa hoặc bát đĩa loại này không nên rửa bằng máy rửa bát.

 **!! CẢNH BÁO:**

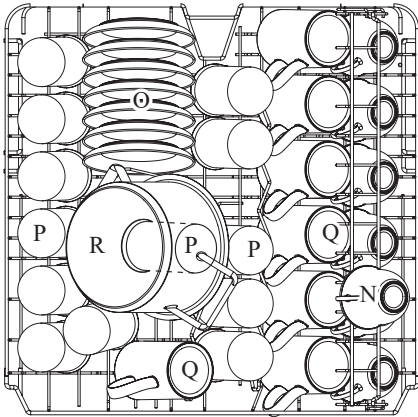
Việc tự sửa chữa hoặc sửa chữa không chuyên nghiệp có thể gây ra rủi ro nghiêm trọng cho sự an toàn của người sử dụng thiết bị và ảnh hưởng đến bảo hành.

6.1 Tính khả dụng của phụ tùng thay thế

- Bảy năm sau khi đưa linh kiện cuối cùng của kiểu máy vào thị trường: Động cơ, máy bơm tuần hoàn và bơm xả, thiết bị sưởi và các bộ phận sưởi, bao gồm máy bơm nhiệt (riêng biệt hoặc đi kèm), đường ống và các thiết bị liên quan bao gồm tất cả các ống mềm, van, bộ lọc và bộ phận ngăn nước, các bộ phận bên trong liên quan đến các bộ cửa (riêng biệt hoặc đi kèm), bảng mạch in, màn hình điện tử, role áp lực, bộ điều nhiệt và cảm biến, phần mềm và vi chương trình bao gồm cả phần mềm cài lại.
- Mười năm sau khi đưa linh kiện cuối cùng của kiểu máy vào thị trường: Bản lề và gioăng cửa, các gioăng khác, cánh tay phun, bộ lọc xả, giá bên trong và các vật dụng bằng nhựa như rổ đựng và nắp.

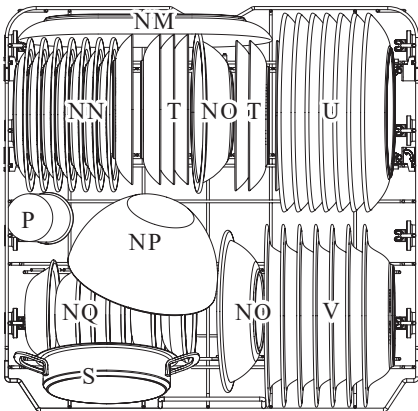
7. XẾP CÁC RỔ ĐỰNG THEO EN60436:

1. Rổ đựng trên:



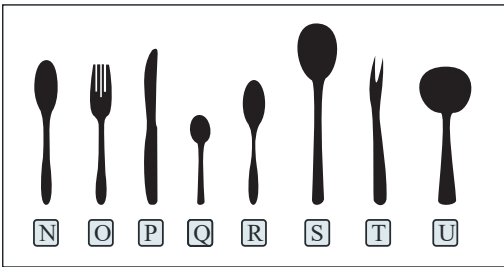
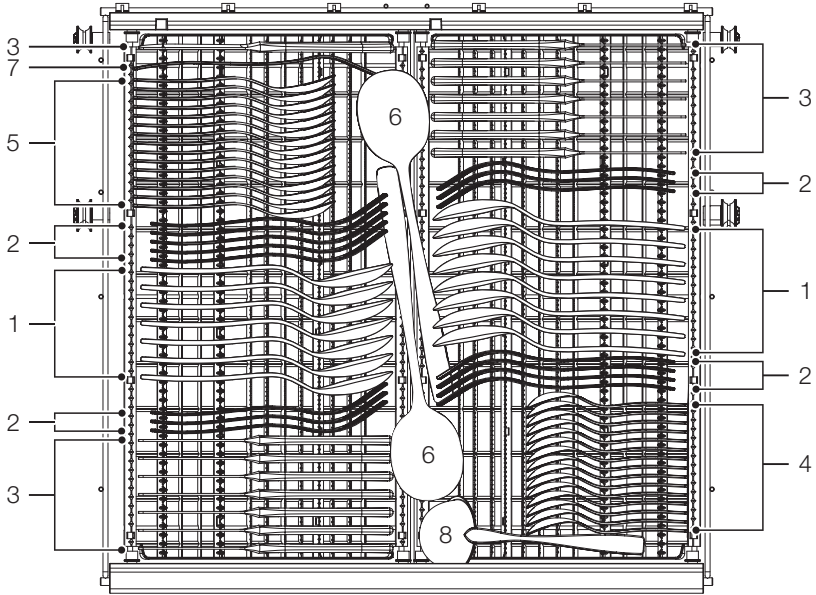
STT	Loại
1	Cốc
2	Đĩa
3	Ly
4	Cốc lớn có quai
5	Nồi nhỏ

2. Rổ đựng dưới:



STT	Loại
6	Nồi đun
7	Đĩa đựng món trắng miệng
8	Đĩa ăn tối
9	Đĩa súp
10	Đĩa hình bầu dục
11	Đĩa đựng món trắng miệng bằng melanin
12	Bát bằng melanin
13	Bát thủy tinh
14	Bát đựng món trắng miệng

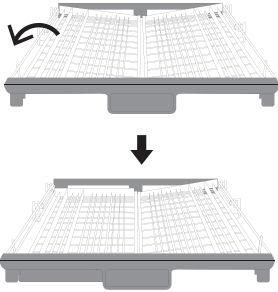
3. Giỏ đựng dao thìa đĩa:



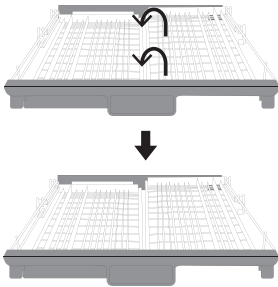
Thông tin so sánh kiểm tra theo
EN60436
Dung tích: 14 bộ bát đĩa
Vị trí rổ đựng trên: vị trí thấp hơn
Chương trình: ECO
Cài đặt nước trợ xả: Tối đa
Thiết lập chất làm mềm nước: H3

STT	Loại
1	Thìa súp
2	Đĩa
3	Dao
4	Thìa uống trà
5	Thìa món tráng miệng
6	Thìa canh
7	Đĩa ăn salad
8	Thìa nước sốt

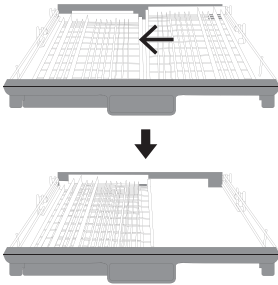
7.1 Mẹo sử dụng Giỏ đựng dao thìa đĩa



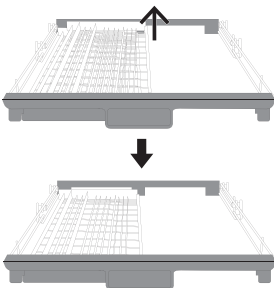
Âng rổ bên trái lên, điều chỉnh đến vị trí thấp hơn, rổ bên trái bằng phẳng và rổ bên phải nghiêng về một bên.



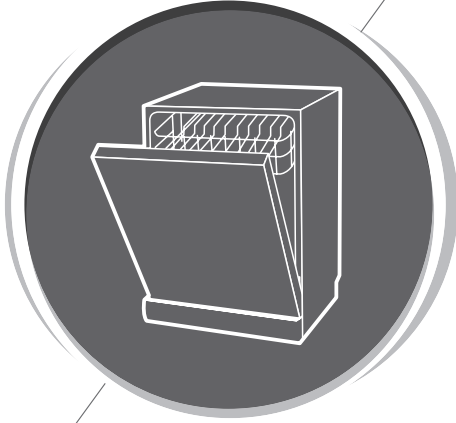
Nâng rổ bên phải lên, cả rổ bên trái và bên phải đều bằng phẳng.



Di chuyển rổ bên phải từ phải sang trái, hai rổ chồng lên nhau.



Tháo rổ bên phải ra khỏi khay, chỉ có rổ bên trái.



HƯỚNG DẪN SỬ DỤNG MÁY RỬA BÁT

PHẦN II : Phiên bản đặc biệt

Vui lòng đọc kỹ sách hướng dẫn sử dụng này trước khi sử dụng máy rửa bát. Giữ lại sách hướng dẫn sử dụng này để tham khảo về sau.

MỤC LỤC

1. SỬ DỤNG MÁY RỬA BÁT	77
1.1 Bảng điều khiển	77
1.2 Chất làm mềm nước	79
1.3 Chuẩn bị và Xếp bát đĩa	80
1.4 Chức năng của Nước trợ xả và Chất tẩy rửa	82
1.5 Nạp vào Ngăn chứa Nước trợ xả	83
1.6 Nạp vào Ngăn chứa chất tẩy rửa	84
2. LẬP TRÌNH MÁY RỬA BÁT	85
2.1 Bảng chu trình rửa	85
2.2 Tiết kiệm năng lượng	86
2.3 Khởi động một chương trình	86
2.4 Thay đổi chế độ giữa chương trình	86
2.5 Quên thêm bát đĩa?	87
3. CÁC MÃ LỖI	88
4. THÔNG TIN KỸ THUẬT	89

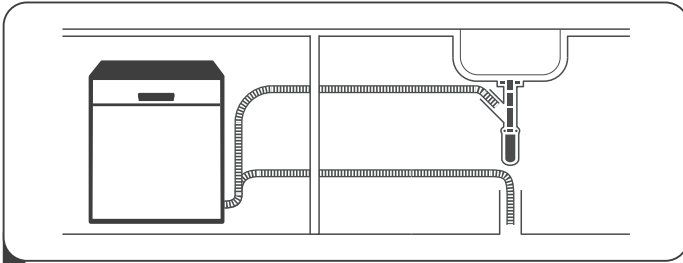


! LƯU Ý:

- Nếu bạn không thể tự giải quyết được vấn đề, hãy yêu cầu hỗ trợ từ nhân viên kỹ thuật lành nghề.
- Nhà sản xuất tuân theo chính sách phát triển liên tục và cập nhật sản phẩm, có thể thực hiện điều chỉnh mà không cần thông báo trước.
- Trong trường hợp bị mất hoặc đã lỗi thời, bạn có thể nhận sách hướng dẫn sử dụng mới từ nhà sản xuất hoặc bên bán hàng cho bạn.

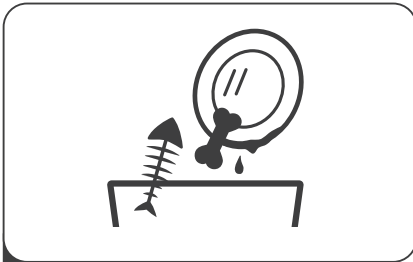
HƯỚNG DẪN SỬ DỤNG NHANH

Vui lòng đọc nội dung tương ứng trên sách hướng dẫn để biết cách vận hành thiết bị chi tiết.

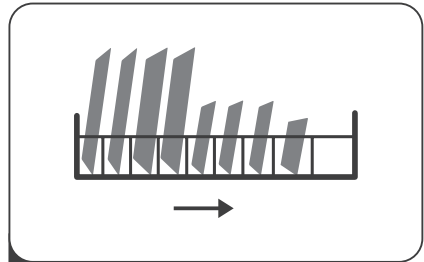


1 Lắp đặt máy rửa bát

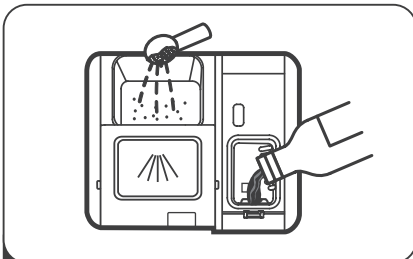
(Vui lòng xem mục 5 “HƯỚNG DẪN LẮP ĐẶT” Thuộc PHẦN : Phiên bản chung.)



2 Lấy các mảnh thức ăn thừa lớn ra khỏi bát đĩa. Tránh xả trước



3 Xếp vào các rổ



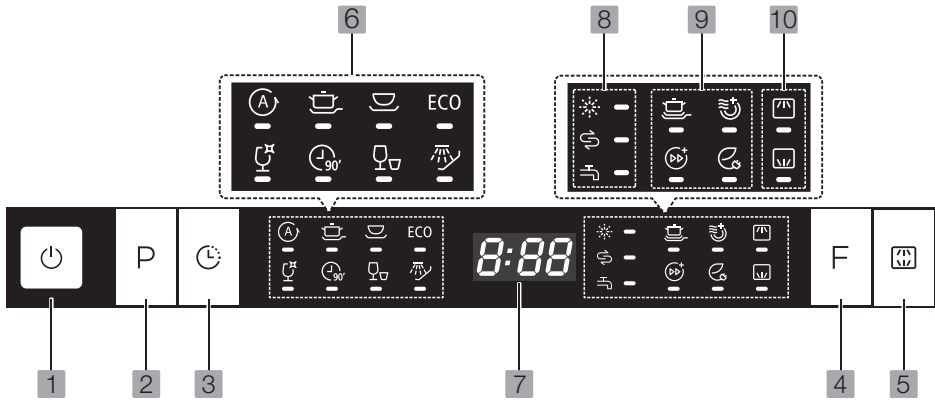
4 Nạp chất tẩy rửa và nước trợ xả vào ngăn chứa.



5 Lựa chọn chương trình và vận hành máy rửa bát

1. SỬ DỤNG MÁY RỬA BÁT




1.1 Bảng điều khiển







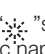

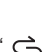

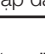


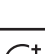

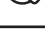



Vận hành (Phím)

1. Power	Nhấn phím này để bật máy rửa bát của bạn.
2. Program	Nhấn phím này để lựa chọn chương trình rửa phù hợp, đèn báo chương trình sẽ sáng.
3. Delay	Nhấn phím Delay để tăng thời gian khởi động trễ. Thời gian trễ một chu trình lên tới 24 giờ theo gia số một giờ. Sau khi cài đặt thời gian trễ, đóng cửa để bắt đầu.
4. Function	Nhấn phím để chọn một chức năng, đèn báo tương ứng sẽ sáng.
5. Alt	Nhấn phím để chọn rổ đựng trên hoặc rổ đựng dưới đã xếp bát đĩa, và các đèn báo phản hồi sẽ sáng.

Display

6. Đèn báo chương	 Auto Rửa cảm biến tự động, bát đĩa bằng sành có độ bẩn ít, bình thường hoặc nhiều, có hoặc không có
	 Intensive Đối với bát đĩa bằng sành bẩn nhất và nồi, chảo, bát đĩa, v.v., có độ bẩn bình thường có thức ăn khô bám dính.
	 Universal Đối với các vật dụng có độ bẩn bình thường như nồi, đĩa, ly và chảo có độ bẩn ít
	ECO ECO Đây là chương trình tiêu chuẩn, chương trình này thích hợp để làm sạch bộ đồ ăn có độ bẩn bình thường và là chương trình hiệu quả nhất về mức tiêu thụ năng lượng và nước kết hợp dành cho loại bộ đồ ăn đó.

6. Đèn báo chương trình	 Glass Dành cho bát đĩa bằng sành và ly có độ bền ít.
	 90 Min Dành cho các vật dụng có độ bền bình thường cần rửa nhanh.
	 Rapid Thời gian rửa ngắn hơn đối với những vật dụng có độ bền ít không cần làm khô.
	 Soak Để rửa bát đĩa mà bạn định rửa sau ngày hôm đó
7. Screen	 Để hiển thị thời gian chương trình còn lại và thời gian trễ, mã lỗi, v.v.
8. Warning indicator	 Rinse Aid Nếu đèn báo “  ” sáng, điều này có nghĩa là máy rửa bát sắp hết nước trợ xả và cần được nạp đầy lại.
	 Salt Nếu đèn báo “  ” sáng, điều này có nghĩa là máy rửa bát sắp hết muối và cần được nạp đầy lại.
	 Water Faucet Nếu đèn báo “  ” sáng, điều này có nghĩa là không có nước chảy vào máy rửa bát.
9. Function indicator	 Power wash Để rửa bát đĩa rất bẩn, khó sạch. (Chỉ được sử dụng với các chế độ Mạnh, Thông thường, ECO, Ly, 90 phút.)
	 Extra drying Để có kết quả làm khô tốt hơn. (Chỉ được sử dụng với các chế độ Mạnh, Thông thường, ECO, Ly, 90 phút.)
	 Turbo speed+ Giảm thời gian chương trình. (Chỉ được sử dụng với các chế độ Mạnh, Thông thường, ECO, Ly, 90 phút.)
	 Energy save khi bạn có ít bát đĩa cần rửa hơn, bạn có thể chọn chức năng này. (Chỉ được sử dụng với các chế độ Mạnh, Thông thường, ECO, Ly, 90 phút.)
10. Alt indicator	 Upper Khi bạn chọn Phía trên, chỉ có bát đĩa trong rổ đựng trên sẽ được rửa. Hệ thống phun của rổ đựng dưới sẽ không hoạt động.
	 Lower Khi bạn chọn Phía dưới, chỉ có bát đĩa trong rổ đựng dưới sẽ được rửa. Hệ thống phun của rổ đựng trên sẽ không hoạt động.

1.2 Chất làm mềm nước

Chất làm mềm nước cần phải cài đặt thủ công, sử dụng thiết bị đo độ cứng của nước.

Chất làm mềm nước dùng để để loại bỏ các khoáng chất và muối từ nước gây ảnh hưởng có hại hoặc bất lợi cho quá trình hoạt động của máy rửa bát.

Càng có nhiều khoáng chất thì nước càng cứng.

Chất làm mềm cần được điều chỉnh theo độ cứng của nước trong khu vực của bạn. Cơ quan cấp nước địa phương của bạn có thể tư vấn cho bạn về độ cứng của nước trong khu vực của bạn.

Điều chỉnh lượng tiêu thụ muối

Máy rửa bát được thiết kế để cho phép điều chỉnh lượng muối tiêu thụ dựa trên độ cứng của nước được sử dụng. Điều này nhằm mục đích tối ưu hóa và tùy chỉnh mức độ tiêu thụ muối.

Hãy làm theo các bước sau đây để điều chỉnh lượng tiêu thụ muối.

1. Mở cửa và bật thiết bị;
2. Nhấn phím Program trong hơn 5 giây để khởi động chế độ cài đặt chất làm mềm nước trong 60 giây sau khi thiết bị được bật;
3. Nhấn phím Program để chọn chương trình phù hợp với môi trường địa phương của bạn, các cài đặt sẽ thay đổi theo trình tự sau: H3->H4->H5->H6->H1->H2->H3;
4. nhấn phím Power để hoàn tất cài đặt kiểu máy.

ĐỘ CỨNG CỦA NƯỚC				Mức chất làm mềm nước	Tái tạo xảy ra mỗi X trình tự chương trình 1)	Lượng tiêu thụ muối (gram/chu trình)
Đức dH	Pháp fH	An-hClarke	Mmol/l			
0 - 5	0 - 9	0 - 6	0 - 0.94	H1	Không cài tạo	0
6 - 11	10 - 20	7 - 14	1.0 - 2.0	H2	10	9
12 - 17	21 - 30	15 - 21	2.1 - 3.0	H3	5	12
18 - 22	31 - 40	22 - 28	3.1 - 4.0	H4	3	20
23 - 34	41 - 60	29 - 42	4.1 - 6.0	H5	2	30
35 - 55	61 - 98	43 - 69	6.1 - 9.8	H6	1	60

$1^{\circ}\text{dH}=1.25^{\circ}\text{Clarke}=1.78^{\circ}\text{fH}=0.178\text{mmol/l}$

Thiết lập tại nhà máy: H3

1) Mỗi chu kỳ với hoạt động tái tạo tiêu thụ thêm 2,0 lít nước, mức tiêu thụ năng lượng tăng thêm 0,02 kWh và chương trình kéo dài thêm 4 phút.



Hãy xem mục 3 “Đổ muối vào Ngăn chứa chất làm mềm nước” thuộc PHẦN : Phiên bản chung, Nếu máy rửa bát của bạn thiếu muối.



! LƯU Ý:

Nếu kiểu máy rửa bát của bạn không sử dụng bất kỳ chất làm mềm nước nào, bạn có thể bỏ qua mục này. Chất làm mềm nước

Độ cứng của nước sẽ thay đổi từ nơi này sang nơi khác. Nếu nước cứng được sử dụng trong máy rửa bát, cặn sẽ bám trên bát đĩa và dụng cụ.

Thiết bị được trang bị một chất làm mềm đặc biệt, sử dụng ngăn chứa muối chuyên dụng để loại bỏ vôi và khoáng chất khỏi nước.

1.3 Chuẩn bị và Xếp bát đĩa

- Xem xét việc mua các dụng cụ không phù hợp với máy rửa bát.
- Đối với những vật dụng cụ thể, chọn chương trình có nhiệt độ thấp nhất có thể. Để tránh hư hại, không lấy vật dụng thủy tinh và dao thìa đĩa ra khỏi máy rửa bát ngay sau khi kết thúc chương trình.

Để rửa dao thìa đĩa/bát đĩa sau đây

Không phù hợp

- Dao thìa đĩa có tay cầm bằng gỗ, sừng hoặc xà cừ
- Các vật dụng bằng nhựa không chịu nhiệt
- Dao thìa đĩa cũ có các bộ phận được dán keo không chịu nhiệt
- Các vật dụng dao thìa đĩa hoặc bát đĩa được gắn kết
- Vật dụng thiếc và đồng Pha lê
- Vật dụng kim loại bị gỉ sét Đĩa gỗ
- Vật dụng làm từ sợi tổng hợp

Giới hạn phù hợp

- Một số loại vật dụng thủy tinh có thể bị xỉn màu khi rửa nhiều
- Các vật dụng bằng bạc và nhôm có nguy cơ đổi màu trong khi rửa
- Các vật dụng tráng men có thể bị phai màu nếu rửa máy thường xuyên

Khuyến nghị khi xếp trên máy rửa bát

Cạo sạch tất cả lượng lớn thức ăn thừa còn sót lại. Làm mềm thức ăn thừa bị cháy trong chảo. Không cần thiết phải tráng bát đĩa dưới vòi nước.

Để đạt được hiệu suất tốt nhất của máy rửa bát, hãy làm theo những hướng dẫn xếp bát đĩa này. (Các tính năng và hình dạng của các ổ đựng bát đĩa và giỏ đựng dao thìa đĩa có thể khác với kiểu máy của bạn.)

Đặt các vật dụng vào máy rửa bát theo cách sau:

- Các vật dụng như cốc, ly, nôi/chảo, v.v., đặt úp xuống dưới.
- Các vật dụng cong hoặc những vật dụng có hốc, nên được đặt nghiêng để nước có thể chảy ra ngoài.
- Tất cả vật dụng xếp chồng lên nhau một cách chắc chắn và không được làm lật ngược.
- Tất cả vật dụng được sắp xếp để cánh tay phun có thể quay tự do trong quá trình rửa.
- Xếp các vật dụng rộng như cốc, ly, chảo, v.v. Với phần miệng hướng xuống dưới để nước không thể đọng lại trong thùng chứa hoặc đế sâu.
- Bát đĩa và dao thìa đĩa không được đặt đè lên nhau.
- Để tránh hư hại, vật dụng thủy tinh không được chạm vào nhau.
- Rổ đựng trên được thiết kế để đặt những vật dụng dễ vỡ và nhẹ hơn như ly, cốc cà phê và cốc trà.
- Dao lưỡi dài được đặt thẳng đứng sẽ là mối nguy hiểm tiềm tàng!
- Những vật dụng và/hoặc nhọn như dao thái thịt phải được đặt nằm ngang ở rổ đựng trên.
- Vui lòng không xếp bát đĩa quá mức tải máy rửa bát của bạn. Đây là điều quan trọng để đạt được kết quả tốt và độ tiêu hao năng lượng hợp lý



! LƯU Ý: Những vật dụng rất nhỏ không nên rửa trong máy rửa bát vì có thể bị rơi ra ngoài rổ đựng.

Lấy bát đĩa ra ngoài

Để ngăn nước nhỏ từ rổ đựng trên xuống rổ đựng dưới, chúng tôi khuyến nghị bạn nên lấy vật dụng từ rổ đựng dưới trước, sau đó mới lấy vật dụng từ rổ đựng trên.



!! CẢNH BÁO:



Các vật dụng sẽ nóng! Để tránh hư hại, không lấy vật dụng thủy tinh và dao thìa đĩa ra khỏi máy rửa bát trong vòng 15 phút sau khi kết thúc chương trình.

Sắp xếp ở rổ đựng trên

Rổ đựng trên được thiết kế để chứa những vật dụng dễ vỡ và nhẹ hơn như ly, cốc cà phê và cốc trà, đĩa lót tách cũng như đĩa, bát nhỏ và chảo nông (miễn là chúng không quá bẩn). Cố định các bát đĩa và các vật dụng để chúng không bị di chuyển khi phun nước.



Sắp xếp ở rổ đựng dưới

Chúng tôi khuyến nghị bạn nên đặt những vật dụng lớn và những vật dụng khó làm sạch ở rổ đựng dưới: chẳng hạn như nôi, chảo, nắp, đĩa ăn salad và bát, như minh họa trong hình bên dưới. Tốt nhất là đặt đĩa ăn salad và nắp ở phía các giá để tránh cản trở hoạt động quay của cánh tay phun trên cùng.

Đường kính tối đa được khuyên dùng cho các đĩa phía trước ngăn chứa chất tẩy rửa là 19cm, điều này không cản trở việc mở ngăn chứa.



Sắp xếp ở giỏ đựng dao thìa đĩa

Dao thìa đĩa nên được đặt trong giỏ đựng dao thìa đĩa tách biệt với nhau ở các vị trí thích hợp và đảm bảo các dụng cụ không được lồng vào nhau, điều này có thể khiến cho hiệu suất kém.

 **!! WARNING:**



Không để các vật dụng xuyên qua phần đáy.

Luôn xếp vật dụng sắc nhọn có đầu sắc nhọn hướng xuống!



Để đạt được hiệu suất tốt nhất, hãy xếp các rổ đựng theo các cách xếp trong mục cuối thuộc PHẦN : Phiên bản chung

1.4 Chức năng của nước trợ xả và chất tẩy


Nước trợ xả sẽ được xả ra trong lần rửa cuối cùng để ngăn chặn những giọt nước đọng lại trên bát đĩa của bạn, mà có thể để lại các vết và vệt. Nước trợ xả cũng cải thiện việc làm khô bằng cách để nước thoát khỏi bát đĩa. Máy rửa bát của bạn được thiết kế phù hợp cho nước trợ xả

 **!! CẢNH BÁO:**

Chỉ sử dụng nước trợ xả có thương hiệu cho máy rửa bát. Không đổ đầy ngăn chứa nước trợ xả bằng một chất nào khác (ví dụ: Chất làm sạch quần áo, dung dịch tẩy rửa). Điều này sẽ làm hỏng thiết bị.

Khi thêm nước trợ xả

Mức độ thường xuyên của ngăn đựng cần được đổ đầy phụ thuộc vào tần suất rửa bát đĩa và thiết lập nước trợ rửa đã thực hiện.

- Đèn báo nước trợ xả thấp () sẽ sáng khi cần nạp thêm nước trợ xả.
- Không đổ tràn ngăn chứa nước trợ xả.

Chức năng của chất tẩy rửa


Các thành phần hóa học cấu thành chất tẩy rửa giúp loại bỏ, tiêu hủy và xử lý tất cả bụi bẩn trong máy rửa bát. Hầu hết chất tẩy rửa chất lượng thương mại đều phù hợp cho mục đích này

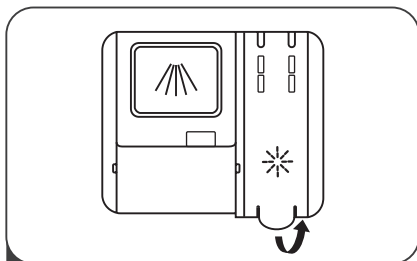
!! CẢNH BÁO:

Sử dụng chất tẩy rửa đúng cách

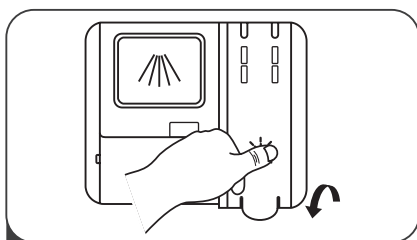
Chỉ sử dụng chất tẩy rửa dành riêng cho máy rửa bát. Bảo quản chất tẩy rửa của bạn sạch sẽ và khô ráo.

Không cho chất tẩy rửa dạng bột vào ngăn chứa cho đến khi bạn sẵn sàng rửa bát đĩa.

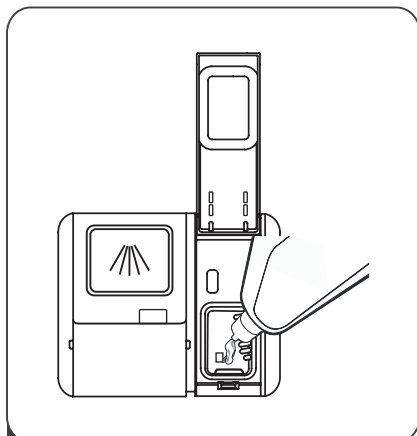
-  Chất tẩy rửa của máy rửa bát có tính ăn mòn! Để chất tẩy rửa của máy rửa bát tránh xa tầm tay trẻ em.

1.5 Nạp vào ngăn chứa nước trợ xả

- 1 Tháo nắp ngăn nước trợ xả bằng cách nâng tay cầm lên



- 3 Đóng nắp sau khi đã hoàn tất.



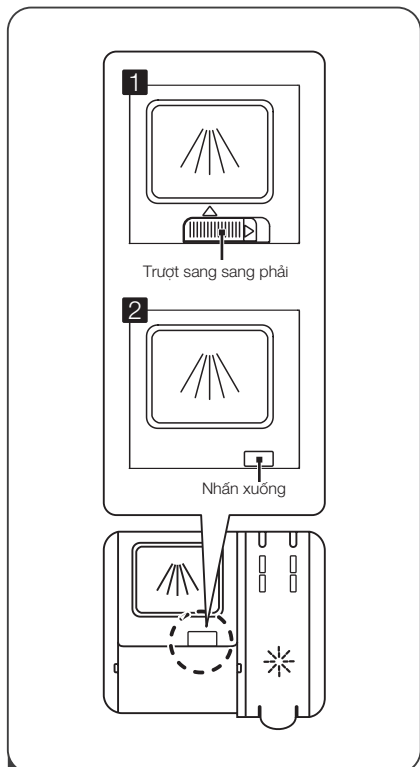
- 2 Đổ nước trợ xả vào ngăn chứa, cẩn thận để tránh đổ tràn.

Điều chỉnh ngăn chứa nước trợ xả

Để đạt được hiệu suất làm khô tốt hơn với lượng nước trợ xả giới hạn, máy rửa bát được thiết kế để điều chỉnh mức tiêu thụ bởi người dùng. Làm theo các bước dưới đây.

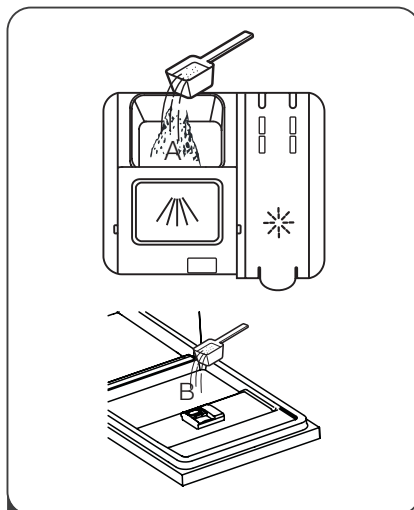
1. Mở cửa và bật thiết bị.
2. Trong vòng 60 giây sau bước 1, nhấn phím Program hơn 5 giây, rồi nhấn phím Delay+ để vào chế độ cài đặt, đèn báo nước trợ xả sẽ nhấp nháy ở tần số 1Hz.
3. Nhấn phím Program để chọn chương trình phù hợp với thói quen sử dụng của bạn, các cài đặt sẽ thay đổi theo trình tự sau: d3->d4->d5->d1->d2->d3. Số càng cao, máy rửa bát càng sử dụng nhiều nước trợ xả.
4. Nếu không hoạt động trong 5 giây hoặc nhấn phím Power để thoát khỏi chế độ cài đặt, cài đặt hoàn tất.

1.6 Nạp vào Ngăn chứa chất tẩy rửa

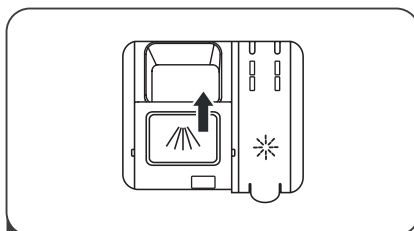


1 Hãy chọn cách mở tùy theo tình hình thực tế.

1. Mở nắp bằng cách trượt chốt nhả.
2. Mở nắp bằng cách nhấn chốt nhả xuống.



2 Thêm chất tẩy rửa vào khoang lớn hơn (A) đối với chu trình rửa chính. Để có kết quả làm sạch tốt hơn, đặc biệt nếu bạn có nhiều đồ rất bẩn, hãy đổ một lượng nhỏ chất tẩy rửa lên cửa. Chất tẩy rửa bổ sung sẽ hoạt động trong giai đoạn trước khi rửa.



3 Đóng nắp bằng cách trượt ra phía trước rồi nhấn xuống.

**! LƯU Ý:**








- Hãy lưu ý rằng tùy thuộc vào độ bẩn của nước, thiết lập có thể khác nhau.
- Hãy tuân thủ các khuyến cáo của nhà sản xuất trên bao bì chất tẩy rửa.

2. CHƯƠNG TRÌNH RỬA BÁT

2.1 Bảng chu trình rửa

Bảng dưới đây cho biết chương trình nào là tốt nhất cho các mức dư lượng thực phẩm và lượng chất tẩy rửa cần thiết. Bảng cũng hiển thị nhiều thông tin khác nhau về các chương trình.

(●) Có nghĩa là: cần thêm nước trợ xả vào ngăn chứa nước trợ xả.

Chương trình	Mô tả chu trình	Chất tẩy rửa Trước/ Chính	Thời gian thực hiện (phút)	Năng lượng (Kwh)	Nước (L)	Nước trợ xả
 Auto	Rửa trước(45°C) Rửa tự động (55-65°C) Xả Xả(50-55°C) Làm khô.	$\frac{4/18g}{(1 \text{ hoặc } 2 \text{ viên})}$	80 -150	0.850 -1.550	8.5-18.0	●
 Intensive	Rửa trước(50°C) Rửa(65°C) Xả Xả(60°C) Làm khô	$\frac{4/18g}{(1 \text{ hoặc } 2 \text{ viên})}$	205	1.500	16.6	●
 Universal	Rửa trước(45°C) Rửa (55°C) Xả Xả (55°C) Làm khô	$\frac{4/18g}{(1 \text{ hoặc } 2 \text{ viên})}$	175	0.980	13.6	●
ECO (*EN 60436)	Rửa(50°C) Xả Xả(50°C) Làm khô	$\frac{4/18g}{(1 \text{ hoặc } 2 \text{ viên})}$	198	0.758	9.8	●
 Glass	Rửa trước Rửa(50°C) Xả Xả(50°C) Làm khô	$\frac{4/18g}{(1 \text{ viên})}$	120	0.950	13.5	●
 90 Min	Rửa(60°C) Xả Xả(50°C) Làm khô	$\frac{22g}{(1 \text{ viên})}$	90	1.180	12.5	●
 Rapid	Rửa(45°C) Xả(45°C)	$\frac{12g}{(1 \text{ viên})}$	30	0.820	11.2	○
 Soak	Rửa trước	-	15	-	4.1	○

**LƯU Ý:**

ECO : Chương trình ECO phù hợp để làm sạch bộ đồ ăn có độ bẩn bình thường, vì mục đích sử dụng này, đây là chương trình hiệu quả nhất xét về mức tiêu thụ năng lượng và nước kết hợp và được sử dụng để đánh giá sự tuân thủ chỉ thị yêu cầu ecodesign của EU.

2.2 Tiết kiệm năng lượng

1. Việc tráng trước các bộ đồ ăn sẽ làm tăng lượng nước và năng lượng tiêu thụ và không được khuyến cáo.
2. Rửa bộ đồ ăn trong máy rửa bát gia đình thường tiêu tốn ít năng lượng và nước hơn trong giai đoạn sử dụng so với rửa bát bằng tay khi máy rửa bát gia đình được sử dụng theo hướng dẫn.

2.3 Khởi động một chương trình

1. Kéo rổ đựng dưới và rổ đựng trên ra, xếp bát đĩa cần rửa vào và đẩy các rổ đựng trở lại. Bạn nên xếp rổ đựng dưới trước, sau đó xếp rổ đựng trên.
2. Đổ chất tẩy rửa.
3. Cắm phích cắm vào ổ cắm. Về nguồn điện, tham khảo trang cuối “Đặc điểm kỹ thuật của sản phẩm”. Đảm bảo nguồn cấp nước được bật đến áp suất đầy đủ.
4. Mở cửa, Nhấn phím Power.
5. Chọn một chương trình, đèn phản hồi sẽ sáng. Sau đó đóng cửa, máy rửa bát sẽ bắt đầu chu trình.

2.4 Đổi chế độ rửa giữa chương trình

Một chương trình chỉ có thể được thay đổi nếu chương trình mới chạy trong một khoảng thời gian ngắn, nếu không chất tẩy rửa có thể đã được xả ra hoặc nước giặt có chất tẩy rửa đã được xả đi. Nếu trường hợp này xảy ra, máy rửa bát cần được cài đặt lại và ngăn chứa chất tẩy rửa phải được nạp lại. Để cài đặt lại máy rửa bát, hãy làm theo hướng dẫn sau đây:

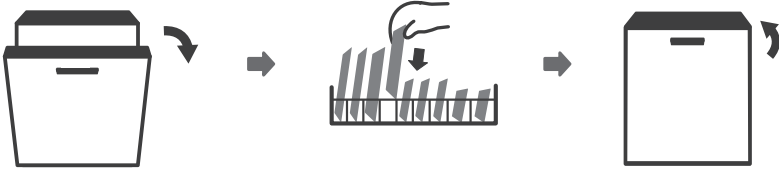
1. Mở hé cửa để dừng máy rửa bát, sau khi cánh tay phun dừng hoạt động, bạn có thể mở cửa hoàn toàn.
2. Nhấn phím Program trong hơn ba giây, máy sẽ ở chế độ lựa chọn chương trình.
3. Bạn có thể thay đổi chương trình đến thiết lập chu trình mong muốn.



2.5 Quên xếp bát đĩa?

Bát đĩa bị quên có thể được xếp vào kỳ lúc nào trước khi ngăn chứa chất tẩy rửa mở. Nếu trường hợp này xảy ra, hãy làm theo các hướng dẫn sau:

1. Mở hé cửa để dừng rửa.
2. Sau khi cánh tay phun dừng hoạt động, bạn có thể mở cửa hoàn toàn.
3. Xếp bát đĩa bị quên vào.
4. Đóng cửa.
5. Máy rửa bát sẽ bắt đầu chạy lại.



!! CẢNH BÁO:



Nguy hiểm khi bạn mở cửa giữa chu trình vì hơi nóng có thể gây bỏng.

3. CÁC MÃ LỖI

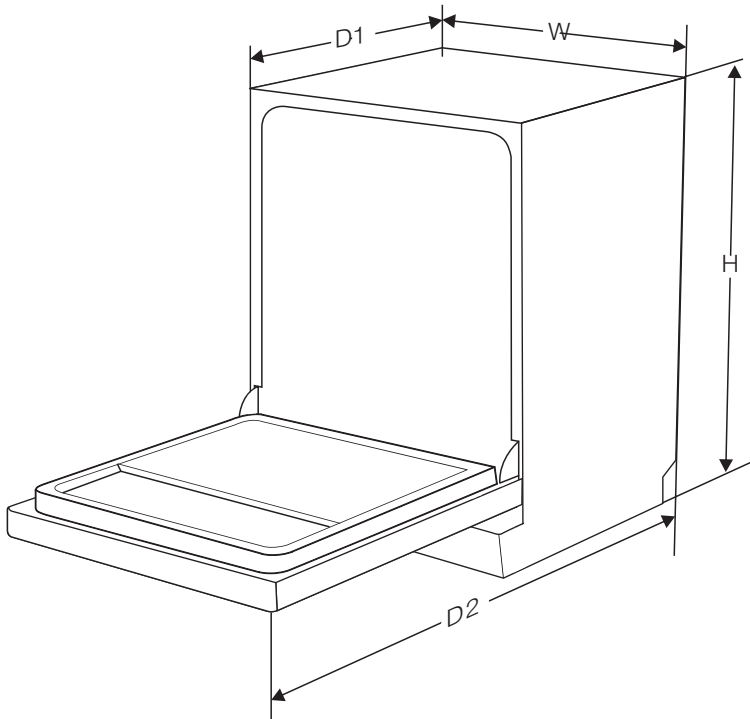
Nếu xảy ra sự cố, máy rửa bát sẽ hiển thị các mã lỗi để xác định các lỗi sau:

Mã lỗi	Ý nghĩa	Nguyên nhân có thể
E1	Thời gian cấp nước lâu.	Vòi không mở hoặc lượng nước bị hạn chế, hoặc áp lực nước quá yếu.
E3	Không đạt đến nhiệt độ	Bộ phận gia nhiệt bị lỗi.
E4	Nước tràn.	Bộ phận nào đó của máy rửa bát bị rò rỉ.
E8	Lỗi định hướng của van phân phối.	Hở mạch hoặc vỡ van phân phối.
E9	Nhấn giữ phím hơn 30 giây.	Có nước hoặc vật gì đó trên phím
EC	Hệ thống kiểm soát rửa bị hỏng.	PCB hoặc động cơ bị hỏng.
Ed	Lỗi kết nối Ed giữa PCB chính và pcb hiển thị.	Hở mạch hoặc đứt đường dây kết nối.

!! CẢNH BÁO:

- Nếu nước bị tràn, ngắt nguồn cấp nước chính trước khi gọi dịch vụ.
- Nếu có nước ở khay đế do chảy tràn hoặc rò rỉ nhẹ, cần tháo nước trước khi khởi động lại máy rửa bát.
- Nếu có mã lỗi không khắc phục được, hãy yêu cầu hỗ trợ chuyên nghiệp.

4. THÔNG TIN KỸ THUẬT



Chiều cao (H)	815mm
Chiều rộng (W)	598mm
Chiều sâu (D1)	550mm (khi cửa đóng)
Chiều sâu (D2)	1150mm (khi cửa mở 90°)

Bảng thông tin sản phẩm (EN60436)

Tên nhà cung cấp hoặc thương hiệu: HAFELE

Mã sản phẩm:538.21.330

Thông số sản phẩm chung

Thông số	Giá trị	Thông số	Giá trị	
Công suất định mức (a) (ps)	14	Kích thước cm	Chiều cao	82
			Chiều rộng	60
			Chiều sâu	55
EI (chỉ số hiệu suất năng lượng) (a)	43,9	cấp hiệu suất năng lượng (a)	C (c)	
Chỉ số hiệu suất làm sạch (a)	1,125	Chỉ số hiệu suất làm khô (a)	1,065	
Tiêu thụ năng lượng bằng kWh [trên chu trình], dựa trên chương trình eco sử dụng nước lạnh. Tiêu thụ năng lượng thực tế sẽ phụ thuộc vào cách sử dụng thiết bị.	0,747	Tiêu thụ nước bằng lít [trên chu trình], dựa trên chương trình eco. Tiêu thụ nước thực tế sẽ phụ thuộc vào cách sử dụng thiết bị và độ cứng của nước.	9,8	
Thời lượng chương trình (a) (giờ:phút)	3:18	Kiểu:	Lắp sẵn	
Độ ồn (a) (dB(A) re 1 pW)	42	Cấp độ ồn (a)	B (c)	
Chế độ tắt (W)	0,49	Chế độ chờ (W)	Không có thông tin	
Kích hoạt thời gian trễ (W) (nếu có)	1,00	Chế độ chờ nối mạng (W) (nếu có)	Không có thông tin	

Thời hạn bảo hành tối thiểu do nhà cung cấp đưa ra (b):

Thông tin bổ sung:

Liên kết web đến trang web của nhà cung cấp, tại đó thông tin trong điểm 6 của Phụ lục II Quy định của Ủy ban (EU) 2019/2022 (1) (b) được cung cấp:

(a) đối với chương trình eco.

(b) những thay đổi đối với các mục này sẽ không được coi là phù hợp với mục đích của khoản 4 Điều 4 Quy định (EU) 2017/1369.

(c) nếu cơ sở dữ liệu về sản phẩm tự động tạo ra nội dung cuối cùng của ô này, nhà cung cấp sẽ không xem xét những dữ liệu này.

(1) Quy định của Ủy ban (EU) 2019/2022 ngày 01 tháng 10 năm 2019 để ra các yêu cầu về thiết kế eco đối với máy rửa bát gia đình theo Chỉ thị 2009/125/EC của Nghị viện Châu Âu và của Hội đồng sửa đổi Quy định của Ủy ban (EC) số 1275/2008 và hủy bỏ Quy định của Ủy ban (EU) số 1016/2010 (xem trang 267 của Tạp chí Chính thức này).

HÄFELE

Häfele VN LLC.

3rd Floor, REE Tower

9 Doan Van Bo Street,

District 4, Ho Chi Minh City

Phone: (+84 28) 39 113 113

Email: info@hafele.com.vn

